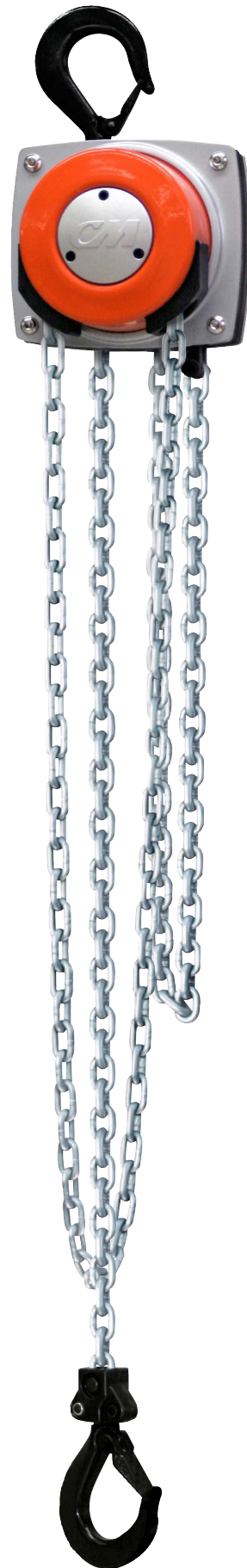


**OPERATING, MAINTENANCE
& PARTS MANUAL SUPPLEMENT**

HAND-OPERATED CHAIN HOIST

**HURRICANE 360 LOAD LIMITER
SETTING INSTRUCTIONS**

Hurricane 360°



1-1. GENERAL INFORMATION

The CM Hurricane 360 O&M Manual (P/N 656) and this supplement provide information for the safe operation and maintenance of this hoist. All persons operating or maintaining these hoists should be familiar with the information contained herein and in the O&M manual. Adherence to the precautions, procedures, and maintenance practices described should ensure long reliable operation.

CAUTION

To safeguard against the possibility of personal injury or property damage, follow the recommendations and instructions of this manual. This manual contains important information for the correct installation, operation, and maintenance of this equipment. All persons involved in the installation, operation, and maintenance of this equipment should be thoroughly familiar with the contents of this manual. Keep this manual for reference and further use.

WARNING

Using "Commercial" or other manufacturer's parts to repair the CM Hoists may cause load loss.

To avoid personal injury:

Use only CM supplied replacement parts. Parts may look alike but CM parts are made of specific materials or processed to achieve specific properties.

FIGURE 1: TOOLS REQUIRED



1. Hammer
2. Punch
3. Small flat screwdriver
4. Torque wrench
5. Socket to fit adjusting ring
6. Vise to secure load limiter
7. Special Sockets for adjusting load limiters
 P/N 00401421 — Adjustment Tool 0.5T
 P/N 00401422 — Adjustment Tool 1T
 P/N 00401423 — Adjustment Tool 2T
 P/N 00401424 — Adjustment Tool 3-10T

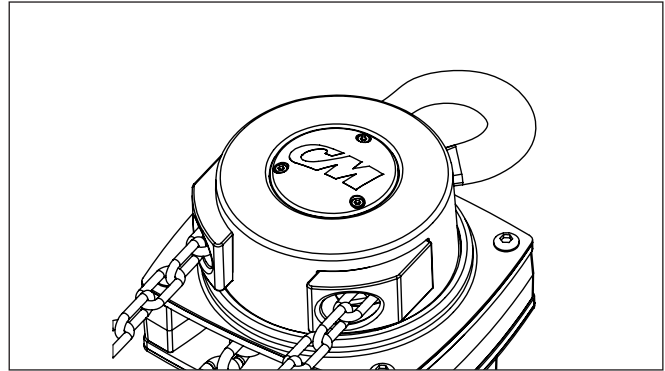
FIGURE 2: SPECIAL SOCKETS



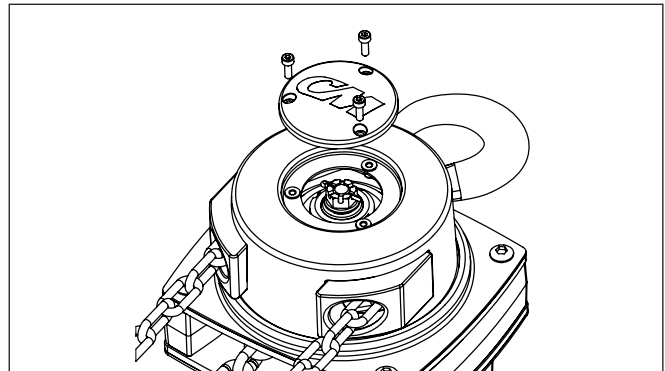
NOTICE

To ensure proper function of the hoist load limiter systems, perform the following steps:

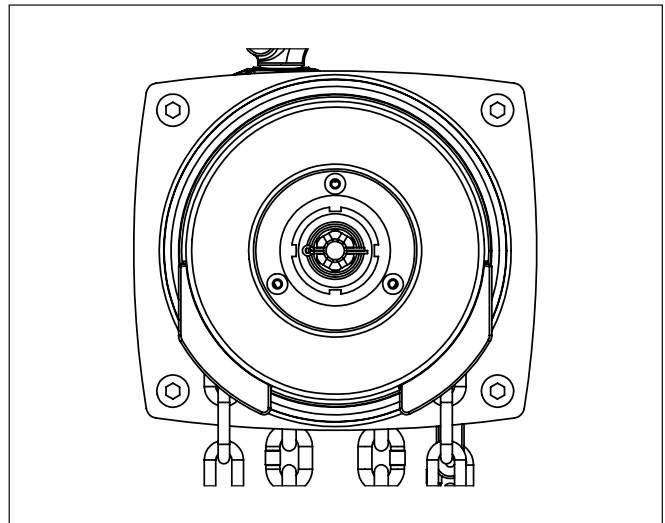
STEP 1: Remove the hoist from the supporting structure and lay it on a flat working surface with the handwheel facing up.



STEP 2: Remove the three screws securing the plastic center cap and remove the cap from the handwheel cover.



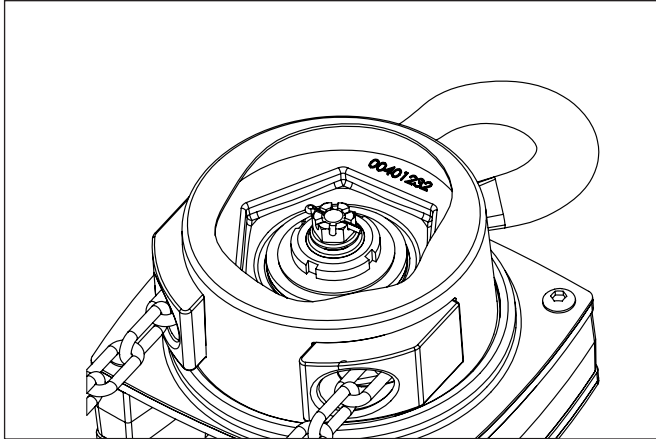
STEP 3: Block the load chain by inserting a screwdriver or pin through the load chain just below the hoist frame. Operate the handwheel in the up direction to remove the slack from the load chain, closing and locking the brake.



CAUTION

When closing and locking the load brake with the load chain blocked avoid applying more force than is needed to completely close the brake. Applying too much force could result in the screwdriver or pin blocking the load chain to bend or fracture.

STEP 4: Change the adjustment of the load limiter by tightening the groove nut with the spanner socket tool to increase the setting or by loosening the groove nut to decrease the setting. See Table 1.



Capacity	Setting	lbf-ft
¼ tonne	55-60 Nm	40.5-44.2
1 ½ tonne	95-100 Nm	70-73.7
3 tonne	95-100 Nm	70-73.7
6 tonne	100-105 Nm	73.7-77.4

Table 1: Torque Setting

When setting load limiter, turn clockwise to increase setting, counter-clockwise to decrease setting. If decreased setting is required, loosen adjusting ring and then tighten to desired setting. Revise the adjustment if necessary. **NOTE:** The hoist should not be able to lift 160% of the rated capacity load if the load limiter has been properly adjusted.

STEP 5: Replace the center cap and the three screws in the handwheel cover.

DISASSEMBLY AND ASSEMBLY

When disassembling and re-assembling the units, please refer to the maintenance section of the CM Hurricane 360 O&M Manual (P/N 656) and this supplement so that all parts are properly installed.

Prior to re-assembly, check all parts for excessive wear, cracks and distortion. Replace parts as necessary, and then reassemble the unit according to the CM Hurricane 360 O&M Manual (P/N 656) and this supplement.

TESTING

We recommended to test the load limiter after adjustment.

Wear and use proper safety equipment for testing. Follow all safety instructions and warnings in this supplement and in the operation manual for inspecting, maintaining and operating this hoist.

The use of any hoist presents some risk of personal injury or property damage. That risk is greatly increased if proper instructions and warnings are not followed. Before using this hoist, each operator should become thoroughly familiar with all warnings, instructions and recommendations in this manual. Retain this manual for future reference and use.

To perform this test, attach the lower hook to a load of maximum 160% of rated capacity and operate the unit in the “up” direction. When attempting to lift the load, the lever should slip. After this test, move the trigger to the down position and operate the unit to remove the tension from the units. Once tension is released, the unit should return to normal operation. If the load does not slip @ 160% of capacity, the load limiter needs to be replaced.

Any hoists that have been repaired or not been operated for the previous 12 months, shall be tested by the user for proper operation prior to initial use.

See the CM Hurricane 360 O&M Manual (P/N 656) for more information.

Questions regarding the Load Limiter on your CM Hurricane 360 Chain hoist should be directed to Columbus McKinnon technical support.



COLUMBUS McKINNON
CORPORATION

FAMILY OF BRANDS



USA: Ph: (800) 888.0985 • (716) 689.5400 • Fax: (716) 689.5644

CANADA: Ph: (877) 264.6478 • Fax: (877) 264.6477

