



SUGGESTED USER PRICES

MANUAL

HOISTS & TROLLEYS



Lever Hoists

Utility Products

Hand Chain Hoists

Integrated Trolleys

Beam Clamps / Trolleys

Phone: 800.888.0985
716.689.5400
Fax: 800.210.9480
716.689.5644

columbusmckinnon.com

Schedule # MHPL-0325
Prices effective July 8, 2024.
Prices subject to change without notice.
All prices are F.O.B. origin.

TABLE OF CONTENTS

LEVER HOIST COMPARISON CHART 4

HAND CHAIN HOIST COMPARISON CHART 6

INTEGRATED TROLLEY HOIST COMPARISON CHART 8

TROLLEY COMPARISON CHART 10

LEVER HOISTS

Series 602 & 603 Mini-Lever Hoist..... 14

Series 653A Lever Operated Hoist..... 15

Bandit Ratchet Lever Hoist 16

LSB-NC Ratchet Lever Hoist 17

Tornado 360° Lever Hoist..... 18

Series 640 – Puller Lever Tool 19

UTILITY

Strap Hoist 22

Wire Grip..... 23

G Series 24

HAND CHAIN HOISTS

Hurricane Mini 360° Hand Chain Hoist 28

Series 622A Hand Chain Hoist..... 28

Hurricane 360° Hand Chain Hoist 29

LHH-NC Hand Chain Hoist..... 30

Cyclone hand Chain Hoist Series 646 31

Yalelift 360° ATEX Hook Suspended Model..... 32

BULK CHAIN..... 33

INTEGRATED TROLLEY HOIST

Hurricane 360° Army-Type, Integrated Trolley Hoist..... 36

Cyclone Hand Chain Hoist..... 38

Yalelift 360° ATEX..... 41

Yalelift 360° ATEX Chain Container 41

BEAM CLAMPS & TROLLEYS

Beam Clamp 44

CTP Adjustable Trolley Clamp..... 44

Series 632/Coffing VT Plain Ball Bearing Trolley, Hook Mount..... 44

Series 633, Hook Mount..... 44

*CT-A Geared Model 46

HTP & HTG Trolley – Standard Models..... 47

HTP & HTG Trolley – Spark-Resistant Models 47

TERMS & POLICIES..... 48

LEVER HOIST COMPARISON CHART



CM
SERIES 602/603
MINI LEVER HOIST



CM
SERIES 653A
LEVER HOIST



CM
BANDIT
RATCHET LEVER HOIST

CAPACITY (Ton)	Capacity	Reeving	Handle Length (Inches)	Lever Pull to Lift Rated Load (Pounds Per Foot)	Capacity	Reeving	Handle Length (Inches)	Lever Pull to Lift Rated Load (Pounds Per Foot)	Capacity	Reeving	Handle Length (Inches)	Lever Pull to Lift Rated Load (Pounds Per Foot)
1/4	✓	1	6-1/3	56								
1/2	✓	1	6-3/8	78								
3/4					✓	1	11	45	✓	1	9.63	45
1					✓	1	11	60				
1-1/2					✓	1	16-1/4	79	✓	1	10.25	64
2					✓	1	16-1/4	105				
3					✓	2	16-1/4	90	✓*	1	16.37	73
4-1/2												
6					✓	2	16-1/4	90	✓*	2	16.37	93
9												
11												
13												
15												
FEATURES												
Steel Housing			✓				✓				✓	
Aluminum Housing												
Free Chaining			✓				✓				✓	
Weston Brake			✓				✓				✓	
Ratchet & Pawl												
Standard Lifts (Feet)			5, 10				5, 10, 15, 20				5, 10, 15, 20	
Zinc Plate Chain			✓				✓				✓	
Self Colored Chain												
Metric Rated			✓				✓					
Warranty			Lifetime				5 Years				Lifetime	
OPTIONS												
Bullard Hooks												
Latchlok Hooks												
Bronze Hooks												
Shipyards Hooks							✓				✓	
Extended Lifts							✓				✓	
Chainless Heads							✓				✓	
Zinc Plated Chain							✓					
Anchor Slings												
Load Limiter											✓	
Load Sentry												
Non Free Chaining												
Spark Resistant												

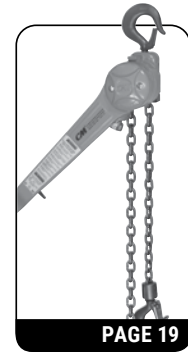
LEVER HOIST COMPARISON CHART



COFFING
HOISTS
LSB-NC
RATCHET LEVER HOIST



CM
TORNADO 360°
LEVER HOIST



CM
SERIES 640
PULLER

CAPACITY (Ton)	Capacity	Reeving	Handle Length (Inches)	Rated Load (Pounds Per Foot)	Lever Pull to Lift Rated Load (Pounds)	Capacity	Reeving	Handle Length (Inches)	Rated Load (Pounds Per Foot)	Lever Pull to Lift Rated Load (Pounds)	Capacity	Reeving	Handle Length (Inches)	Rated Load (Pounds Per Foot)	Lever Pull to Lift Rated Load (Pounds)
1/4															
1/2															
3/4	✓	1	9-1/4	46	✓	1	12.87	38.2/47.2	✓	1	21-3/16	58			
1	✓	1	9-1/4	57											
1-1/2	✓	1	14-9/16	59	✓	1	12.87	58.5/60.7	✓	1	21-1/8	89			
2															
3	✓	1	14-9/16	75	✓	1	14.84	79.4/90.4	✓	2	21-1/8	95			
4-1/2															
6	✓	2	14-9/16	76	✓	2	14.84	83.8/92.6	✓	4	21-1/8	96			
9															
11															
13															
15															
FEATURES															
Steel Housing		✓													
Aluminum Housing							✓					✓			
Free Chaining		✓					✓					✓			
Weston Brake		✓					✓					✓			
Ratchet & Pawl															
Standard Lifts (Feet)		5, 10, 15, 20					5, 10, 15, 20					5, 10, 15, 20			
Zinc Plate Chain							✓					✓			
Self Colored Chain		✓										✓			
Metric Rated		✓										✓			
Warranty		Lifetime					Lifetime					Lifetime			
OPTIONS															
Bullard Hooks															✓
Latchlok Hooks															✓
Bronze Hooks															✓
Shipyards Hooks		✓					✓								✓
Extended Lifts		✓					✓								✓
Chainless Heads		✓					✓								✓
Zinc Plated Chain		✓					✓(Canada only)								✓
Anchor Slings		✓													✓
Load Limiter		✓					✓								✓
Load Sentry															✓
Non Free Chaining															✓
Spark Resistant															✓

HAND CHAIN HOIST COMPARISON CHART



CM
HURRICANE MINI 360°
HAND CHAIN HOIST



CM
SERIES 622A
HAND CHAIN HOIST



CM
HURRICANE 360°
HAND CHAIN HOIST

CAPACITY (Ton)	Capacity	Reeving	Pull Force (Pounds)	Hand Chain Over-Hauled to Lift Load One Foot (Ft.)	Capacity	Reeving	Pull Force (Pounds)	Hand Chain Over-Hauled to Lift Load One Foot (Ft.)	Capacity	Reeving	Pull Force (Pounds)	Hand Chain Over-Hauled to Lift Load One Foot (Ft.)
1/4	✓	1	36	25								
1/2	✓	1	45	38	✓	1	53	29	✓	1	44	30
1					✓	1	77	37	✓	1	54	49
1-1/2												
2					✓	1	82	80	✓	1	74	71
3					✓	2	65	154	✓	1	92	87
4												
5					✓	2	105	147	✓	2	76	174
6												
8												
10									✓	3	102	261
12												
15									✓	6	2 x 76	522
16												
20									✓	6	2 x 102	522
25												
30												
40												
50												
FEATURES												
Steel Housing							✓				✓	
Aluminum Housing												
Weston Brake							✓				✓	
Standard Lifts (Feet)							10, 15, 20				10, 15, 20	
Low Headroom option												
Zinc Plate Hand Chain											✓	
Zinc Plate Load Chain											✓	
Self Colored Hand Chain							✓					
Self Colored Load Chain							✓					
Configurator Quoted											✓	
Domestic Hoist												
Warranty							1 Year				Lifetime	
Metric Ton Rated							✓				✓	
OPTIONS												
Fabric Chain Bag												
Rigid Chain Container												
Extended Lifts											✓	
Zinc Plate Hand Chain												
Zinc Plate Load Chain												
Stainless Load Chain												
Aluminum Hand Chain												
Chainless Heads							✓				✓	
Spark Resistant												
Low Head Room												
Lug Mount												
Trolley Mount												
Special Exterior Finish												
Bronze Hook												
Latchlok Hooks												
Bullard Hook												
Load Limiter											✓	

HAND CHAIN HOIST COMPARISON CHART



COFFING
HOISTS
LHH-NC
HAND CHAIN HOIST



CM
CYCLONE
HAND CHAIN HOIST



Yale
HOISTS
ATEX 360°
HOOK-TYPE HOIST

CAPACITY (Ton)	Capacity	Reeving	Pull Force (Pounds)	Hand Chain Over-Hauled to Lift Load One Foot (Ft.)	Capacity	Reeving	Pull Force (Pounds)	Hand Chain Over-Hauled to Lift Load One Foot (Ft.)	Capacity	Reeving	Pull Force (Pounds)	Hand Chain Over-Hauled to Lift Load One Foot (Ft.)
1/4					✓	1	23	22-1/2	✓	1		
1/2	✓	1	55	32	✓	1	46	22-1/2	✓	1		
1	✓	1	53	56	✓	1	69	30	✓	1		
1-1/2	✓	1	65	75	✓	1	80	40-1/2	✓	1		
2	✓	1	74	75	✓	1	83	52	✓	1		
3	✓	1	84	95	✓	2	85	81	✓	2		
4					✓	2	88	104	✓	2		
5	✓	3	79	203	✓	3	75	156	✓	3		
6					✓	3	90	156	✓	3		
8	✓	3	77	312.5	✓	4	89	208	✓	6		
10	✓	3	95	312.5	✓	5	95	260	✓	6		
12	✓	5	84	526					✓	6		
15	✓	5	103	526								
16												
20	✓	6	99 x 2	312.5 x 2								
25	✓	8	97 x 2	416.7 x 2								
30	✓	10	104 x 2	526.3 x 2								
40	✓	14	101 x 2	714.3 x 2								
50	✓	20	104 x 2	1000 x 2								
FEATURES												
Steel Housing			✓								✓	
Aluminum Housing							✓					
Weston Brake			✓				✓				✓	
Standard Lifts (Feet)		10, 15, 20					10				10	
Low Headroom option							✓					
Zinc Plate Hand Chain												
Zinc Plate Load Chain												
Self Colored Hand Chain			✓				✓					
Self Colored Load Chain			✓				✓					
Configurator Quoted							✓					
Domestic Hoist							✓					
Warranty		Lifetime					Lifetime				Lifetime	
Metric Ton Rated		✓					✓				✓	
OPTIONS												
Fabric Chain Bag							✓				✓	
Rigid Chain Container							✓					
Extended Lifts		✓					✓				✓	
Zinc Plate Hand Chain		✓					✓					
Zinc Plate Load Chain		✓					✓					
Stainless Load Chain							✓ Up to 1 Ton				✓ (Standard)	
Stainless Load Chain							✓ Up to 1 Ton				✓ (Standard)	
Aluminum Hand Chain							✓					
Chainless Heads		✓					✓					
Spark Resistant							✓					
Low Head Room							✓					
Lug Mount							✓					
Trolley Mount							✓					
Special Exterior Finish							✓				✓ (Standard)	
Bronze Hook							✓					
Latchlok Hooks							✓					
Bullard Hook							✓					
Load Limiter		✓					✓				✓	

INTEGRATED TROLLEY HOIST COMPARISON CHART



CM
HURRICANE 360°
TROLLEY HOIST



CM
CYCLONE
ARMY-TYPE TROLLEY HOIST

CAPACITY (Ton)	Capacity	Reeving	Standard Flange Width Range (Inches)	Hand Chain Over-Hauled to Lift Load One Foot (Ft.)	Capacity	Reeving	Standard Flange Width Range (Inches)	Hand Chain Over-Hauled to Lift Load One Foot (Ft.)
1/4					✓	1	2-5/8 – 5-1/2	22-1/2
1/2	✓	1	3.94 – 7.09	30	✓	1	2-5/8 – 5-1/2	22-1/2
1	✓	1	3.94 – 7.09	49	✓	1	2-5/8 – 5-1/2	30
1-1/2					✓	1	3-3/8 – 5-5/8	40-1/2
2	✓	1	3.94 – 7.09	71	✓	1	3-3/8 – 5-5/8	52
3	✓	1	3.94 – 7.09	87	✓	2	3-3/8 – 5-5/8	81
4					✓	2	3-3/8 – 5-5/8	104
5	✓	2	3.94 – 7.09	174	✓	3	4 – 6-1/4	156
6					✓	3	4 – 6-1/4	156
8					✓	4	5 – 8	208
10	✓	3	7.09 – 11.81	261	✓	5	5 – 8	260
12					✓	6	5-1/2 – 8	312
15	✓	6	7.09 – 11.81	522 (2 x 261)				
16								
20	✓	6	7.09 – 11.81	522 (2 x 261)				
25								
30								
40								
50								
FEATURES								
Steel Housing			✓					
Aluminum Housing							✓	
Weston Brake			✓				✓	
Standard Lifts (Feet)		10, 15, 20					10	
Low Headroom option							✓	
Zinc Plate Hand Chain			✓					
Zinc Plate Load Chain			✓					
Self Colored Hand Chain			✓				✓	
Self Colored Load Chain			✓				✓	
Configurator Quoted							✓	
Domestic Hoist							✓	
Warranty		✓					Lifetime	
Metric Ton Rated		✓					✓	
OPTIONS								
Fabric Chain Bag		✓					✓	
Rigid Chain Container							✓	
Extended Lifts		✓					✓	
Zinc Plate Hand Chain							✓	
Zinc Plate Load Chain							✓	
Stainless Load Chain						✓	Up to 1 Ton	
Stainless Load Chain						✓	Up to 1 Ton	
Aluminum Hand Chain							✓	
Chainless Heads							✓	
Spark Resistant							✓	
Low Head Room		✓					✓	
Lug Mount		✓					✓	
Trolley Mount		✓					✓	
Special Exterior Finish							✓	
Bronze Hook							✓	
Latchlok Hooks		✓					✓	
Bullard Hook							✓	
Load Limiter		✓					✓	

INTEGRATED TROLLEY HOIST COMPARISON CHART



PAGE 39



LOW HEADROOM TROLLEY HOIST



PAGE 41

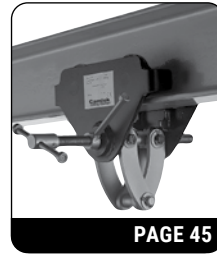
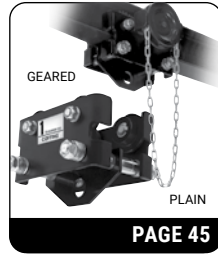


ATEX 360°

INTEGRATED (SPARK RESISTANT)

CAPACITY (Ton)	Capacity	Reeving	Standard Flange Width Range (Inches)	Hand Chain Over-Hauled to Lift Load One Foot (Ft.)	Capacity	Reeving	Standard Flange Width Range (Inches)	Hand Chain Over-Hauled to Lift Load One Foot (Ft.)
1/4					✓	1		
1/2	✓	1	3-3/8 - 5	22-1/2	✓	1		
1	✓	1	3-3/8 - 5	30	✓	1		
1-1/2	✓	1	3-5/8 - 5-1/2	40-1/2	✓	1		
2	✓	1	3-5/8 - 5-1/2	52	✓	1		
3	✓	2	3-5/8 - 5-1/2	81	✓	2		
4	✓	2	4 - 7	104	✓	2		
5	✓	3	4 - 7	156	✓	3		
6	✓	3	4 - 7	156	✓	3		
8					✓	6		
10					✓	6		
12					✓	6		
15								
16								
20								
25								
30								
40								
50								
FEATURES								
Steel Housing							✓	
Aluminum Housing			✓					
Weston Brake			✓				✓	
Standard Lifts (Feet)			10				10	
Low Headroom option			✓					
Zinc Plate Hand Chain								
Zinc Plate Load Chain								
Self Colored Hand Chain			✓					
Self Colored Load Chain			✓					
Configurator Quoted			✓					
Domestic Hoist			✓					
Warranty			Lifetime				Lifetime	
Metric Ton Rated			✓				✓	
OPTIONS								
Fabric Chain Bag			✓				✓	
Rigid Chain Container			✓					
Extended Lifts			✓					
Zinc Plate Hand Chain			✓					
Zinc Plate Load Chain			✓					
Stainless Load Chain			✓ Up to 1 Ton					
Stainless Load Chain			✓ Up to 1 Ton					
Aluminum Hand Chain			✓					
Chainless Heads			✓					
Spark Resistant			✓					
Low Head Room			✓					
Lug Mount			✓					
Trolley Mount			✓				✓	
Special Exterior Finish			✓				✓ (Standard)	
Bronze Hook			✓					
Latchlok Hooks			✓					
Bullard Hook			✓					
Load Limiter			✓				✓	

TROLLEY COMPARISON CHART



CAPACITY (Ton)	CBT TROLLEY (PLAIN & GEARED), HOOK MOUNTED	CTP PLAIN TROLLEY, HOOK MOUNTED
1/4	✓	
1/2	✓	
1	✓	✓
1-1/2	✓	
2	✓	✓
3	✓	✓
4		
5	✓	
>5		
FEATURES		
Plain	✓	✓
Geared	✓	
Trolley Guards	✓	✓
Warranty	Lifetime	One Year
Metric Rated	✓	✓
OPTIONS		
Larger Beam Width Available		
Trolley Guards		
Spark Resistant		

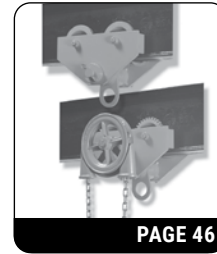
TROLLEY COMPARISON CHART



CM COFFING
HOISTS
BUDGIT Hoists **Yale** HoISTS



CM COFFING
HOISTS
BUDGIT Hoists **Yale** HoISTS



CM COFFING
HOISTS
BUDGIT Hoists **Yale** HoISTS



CM COFFING
HOISTS
BUDGIT Hoists **Yale** HoISTS

CAPACITY (Ton)	SERIES 632/ COFFING VT PLAIN TROLLEY, HOOK MOUNTED	SERIES 633/CTA PLAIN TROLLEY, HOOK MOUNTED	MODEL PT TROLLEY, HOOK MOUNTED	MODEL HTP/HTG TROLLEY, HOOK MOUNTED
1/4	✓		✓	
1/2	✓	✓	✓	✓
1	✓	✓	✓	✓
1-1/2	✓		✓	
2	✓	✓	✓	✓
3	✓	✓	✓	✓
4			✓	
5		✓	✓	✓
>5			✓	✓
FEATURES				
Plain	✓	✓	✓	✓
Geared			✓	✓
Trolley Guards		✓	✓	✓
Warranty	Lifetime	One Year	One Year	One Year
Metric Rated	✓	✓		✓
OPTIONS				
Larger Beam Width Available	✓		✓	✓
Trolley Guards	✓	Standard	Standard	Standard
Spark Resistant			✓	✓

LEVER HOISTS

LEVER HOISTS

CM SERIES 602 & 603 MINI-LEVER HOISTS

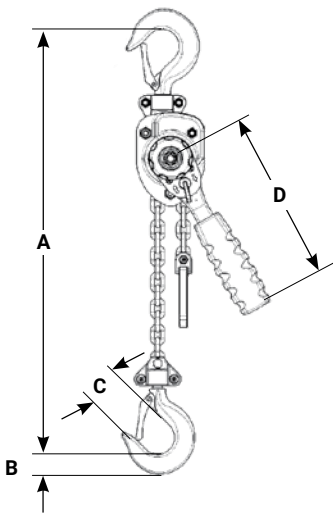
Capacity (Pounds)	Product Code	Standard Lift (Feet)	Dimensions (Inches)				Weight (Pounds)	User Price	Replacement Latch Kits	
			A	B	C	D			Upper Hook	Lower Hook
									Product Code & User Price	Product Code & User Price
550	0210	5	9.45	0.79	0.83	6.3	6	\$248.00	00230168 \$13.23	00230168 \$13.23
550	0214	10	9.45	0.79	0.83	6.3	7	\$310.00	00230168 \$13.23	00230168 \$13.23
BAG	0212	-	-	-	-	-	0.3	\$31.00	-	-
1,100	0215	5	11.125	11.25	1	6.37	7	\$326.00	00400449 \$7.35	00400449 \$7.35
1,100	0216	10	11.125	11.25	1	6.37	8	\$406.00	00400449 \$7.35	00400449 \$7.35
BAG	0217	-	-	-	-	-	0.3	\$33.00	-	-



Series 602 Carrying Bag



Series 603 Carrying Bag



Series 602
550 lb. Capacity

Series 603
1,100 lb. Capacity

Dimensional drawings and photos are not indicative of every capacity. Please refer to catalog for capacity-specific drawings.

LEVER HOISTS

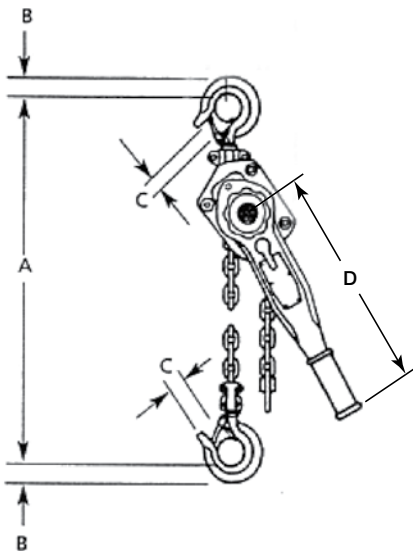
CM SERIES 653A LEVER OPERATED HOIST

Capacity (Metric Rated Ton)	Product Code	Standard Lift (feet)	Dimensions (Inches)				Weight (Pounds)	User Price	Hoist with Lower Shipyard Hook		Hoist with Lower & Upper Shipyard Hook		Extra Lift Per Foot *	Addrs				
			A	B	C	D			Product Code	User Price	Product Code	User Price		Replacement Latch Kits		Shipyard Hooks		
														Upper Hook	Lower Hook	Upper Hook	Lower Hook	
			Product Code & User Price	Product Code & User Price	Product Code & User Price	Product Code & User Price												
3/4	5310A	5	12-5/8	15/16	1-1/8	9-1/4	19	\$415.00	-	-	-	-	\$12.70	53820	\$19.61	53820	-	-
	5311A	10					21	\$478.50					\$12.70					
	5312A	15					26	\$542.00					\$12.70					
	5313A	20					28	\$605.50					\$12.70					
	5324A	Less Chain†					15	\$351.50					Less Chain					
1	5328A	5	12-5/8	15/16	1-1/8	9-1/4	19	\$469.00	-	-	-	-	\$16.55	53919	\$22.73	53919	-	-
	5328-X10A	10					23	\$551.75					\$16.55					
	5328-X15A	15					25	\$634.50					\$16.55					
	5328-X20A	20					28	\$717.25					\$16.55					
	5329A	Less Chain†					20	\$458.25					Less Chain					
1-1/2	5315A	5	14-3/16	1-1/8	1-1/4	13	31	\$541.00	5336	\$657.00	5337	\$773.00	\$16.55	53821	\$23.43	53821	3315WLP \$116	3315WLP \$116
	5316A	10					36	\$623.75					\$16.55					
	5317A	15					41	\$706.50					\$16.55					
	5318A	20					45	\$789.25					\$16.55					
	5325A	Less Chain†					20	\$458.25					Less Chain					
2	5329A	5	14-3/16	1-1/8	1-1/4	16-1/4	31	\$755.00	-	-	-	-	\$21.95	53922	\$27.75	53922	-	-
	5329-X10A	10					37	\$864.75					\$21.95					
	5329-X15A	15					42	\$974.50					\$21.95					
	5329-X20A	20					46	\$1,084.25					\$21.95					
	5329LCXA	Less Chain†					20	\$645.25					Less Chain					
3	5320A	5	18-11/16	1-13/16	1-9/16	16-1/4	51	\$864.00	5338	\$1,000.00	5339	\$1,136.00	\$21.95	53822	\$30.37	53822	3303WLP \$136.00	3303WLP \$136.00
	5321A	10					59	\$973.75					\$21.95					
	5327A	20					66	\$1,193.25					\$21.95					
	5326A	Less Chain†					43	\$754.25					Less Chain					
	5330A	5					78	\$1,585.00					\$43.90					
6	5331A	10	23-1/4	1-13/16	2-3/16	16-1/4	94	\$1,804.50	-	-	-	-	\$43.90	53940	\$37.45	53940	-	-
	5332A	15					110	\$2,024.00					\$43.90					
	5333A	20					126	\$2,243.50					\$43.90					

For additional product information, features and options, see catalog.

For Bulk Chain pricing, see page 33.

*Lifts other than Standard should be figured from 5" price.



Dimensional drawings and photos are not indicative of every capacity. Please refer to catalog for capacity-specific drawings.

LEVER HOISTS

CM BANDIT RATCHET LEVER HOIST

Capacity (Metric Rated Ton)	Product Code	Standard Lift (Feet)	Dimensions (Inches)				Weight (Pounds)	User Price	Hoist with Load Limiter**		Extra Lift Per Foot *	Adders			
			A	B	C	D			Product Code	User Price		Replacement Latch Kits		Shipyards Hooks	
												Upper Hook	Lower Hook	Upper Hook	Lower Hook
												Product Code & User Price	Product Code & User Price	Product Code & User Price	Product Code & User Price
3/4	BAN07505	5	12.8	0.94	1.13	9.63	14.2	\$526.00	BAN07505LL	\$711.00	\$12.70	53820 \$19.61	53820 \$19.61	-	-
	BAN07510	10					16.5	\$589.50	BAN07510LL	\$774.50	\$12.70				
	BAN07515	15					18.8	\$653.00	BAN07515LL	\$838.00	\$12.70				
	BAN07520	20					21.1	\$716.50	BAN07520LL	\$901.50	\$12.70				
	BAN075LCXS	Less Chain					11.4	\$462.50	BAN075LCXLL	\$647.50	Less Chain				
1-1/2	BAN15005	5	14.2	1.13	1.25	10.25	21.1	\$688.00	BAN15005LL	\$873.00	\$16.55	53821 \$23.43	53821 \$23.43	00002145 \$138.00	00002145 \$138.00
	BAN15010	10					24.6	\$770.75	BAN15010LL	\$955.75	\$16.55				
	BAN15015	15					28.1	\$853.50	BAN15015LL	\$1,038.50	\$16.55				
	BAN15020	20					31.6	\$936.25	BAN15020LL	\$1,121.25	\$16.55				
	BAN150LCXS	Less Chain					16.9	\$605.25	BAN150LCXLL	\$790.25	Less Chain				
3	BAN30005	5	17.5	1.69	1.56	16.37	38.3	\$1,078.00	BAN30005LL	\$1,263.00	\$21.95	53822 \$30.37	53822 \$30.37	-	3403WLP \$136.00
	BAN30010	10					45.7	\$1,187.75	BAN30010LL	\$1,372.75	\$21.95				
	BAN30015	15					53	\$1,297.50	BAN30015LL	\$1,482.50	\$21.95				
	BAN30020	20					60.4	\$1,407.25	BAN30020LL	\$1,592.25	\$21.95				
	BAN300LCX	Less Chain					29.5	\$968.25	BAN300LCXLL	\$1,153.25	Less Chain				
6	BAN60005	5	22	1.81	2.19	16.37	63.2	\$1,755.00	BAN60005LL	\$1,940.00	\$43.90	53940 \$37.45	53940 \$37.45	-	-
	BAN60010	10					77.9	\$1,974.50	BAN60010LL	\$2,159.50	\$43.90				
	BAN60015	15					92.6	\$2,194.00	BAN60015LL	\$2,379.00	\$43.90				
	BAN60020	20					107.3	\$2,413.50	BAN60020LL	\$2,598.50	\$43.90				
	BAN600LCX	Less Chain					44.5	\$1,535.50	BAN600LCXLL	\$1,720.50	Less Chain				

For additional product information, features and options, see catalog.

For Bulk Chain pricing, see page 33.

*Lifts other than Standard should be figured from 5' price.

**Optional Load Limiter must be requested at time of order.

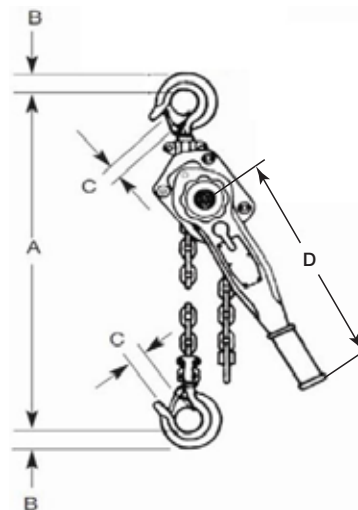
BANDIT LATCHLOK HOOK LIST PRICE ADDERS

Capacity	Upper Latchlok Hook Adder	Lower Latchlok Hook Adder
3/4 Ton	\$295	\$295
1-1/2 Ton	\$339	\$339
3 Ton	\$365	\$365
6 Ton	\$738	\$738



**THE WORLD'S FIRST
HMI-CERTIFIED
RATCHET LEVER HOIST**

Dimensional drawings and photos are not indicative of every capacity. Please refer to catalog for capacity-specific drawings.



LEVER HOISTS

COFFING[®] LSB-NC RATCHET LEVER HOIST

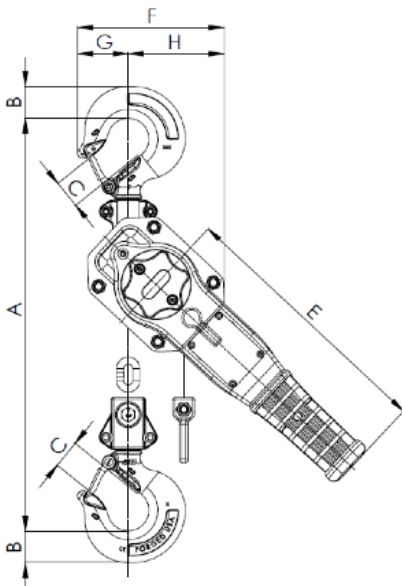
Capacity (Metric Rated Ton)	Product Code	Standard Lift (Feet)	Dimensions (Inches)								Weight (Pounds)	User Price	Adders				
			A	B	C	D	E	F	G	H			Extra Lift Per Foot *	Replacement Latch Kits		Shipyard Hooks	
														Upper Hook	Lower Hook	Upper Hook	Lower Hook
														Product Code & User Price	Product Code & User Price	Product Code & User Price	Product Code & User Price
3/4	LSB07505NC	5	11.73	1.04	1.04	.88	9.84	4.98	1.79	3.19	14	\$675.00	\$12.70	4X1304 \$13.92	4X1304 \$13.92	-	-
	LSB07510NC	10									16	\$738.50					
	LSB07515NC	15									18	\$802.00					
	LSB07520NC	20									20	\$865.50					
	LSB075NCLCX	Less Chain									12	\$611.50					
1	LSB10005NC	5	12.40	1.04	1.04	.88	10.51	5.59	1.81	3.78	20	\$774.00	\$16.55	4X1304 \$13.92	4X1304 \$13.92	00002145 \$138.00	3415WLP \$138.00
	LSB10010NC	10									23	\$856.75					
	LSB10015NC	15									26	\$939.50					
	LSB10020NC	20									29	\$1,022.25					
	LSB100NCLCX	Less Chain									18	\$691.25					
1-1/2	LSB15005NC	5	13.94	1.25	1.11	0.94	10.51	5.75	1.99	3.74	20	\$1,009.00	\$16.55	4X1305 \$12.52	4X1305 \$12.52	00002145 \$138.00	3415WLP \$138.00
	LSB15010NC	10									24	\$1,091.75					
	LSB15015NC	15									27	\$1,174.50					
	LSB15020NC	20									30	\$1,257.25					
	LSB150NCLCX	Less Chain									18	\$926.25					
3	LSB30005NC	5	16.46	1.44	1.42	1.38	14.80	7.36	2.52	4.84	39	\$1,367.00	\$21.95	192102432 \$254.26	192102432 \$254.26	00002383 \$136.00	3403WLP \$136.00
	LSB30010NC	10									46	\$1,476.75					
	LSB30015NC	15									53	\$1,586.50					
	LSB30020NC	20									68	\$1,696.25					
	LSB300NCLCX	Less Chain									33	\$1,257.25					
6	LSB60005NC	5	21.34	1.82	1.63	1.68	14.80	9.37	3.03	6.34	66	\$1,783.00	\$43.90	192102433 \$370.26	192102433 \$370.26	-	-
	LSB60010NC	10									80	\$2,002.50					
	LSB60015NC	15									94	\$2,222.00					
	LSB60020NC	20									109	\$2,441.50					
	LSB600NCLCX	Less Chain										\$1,563.50					

For additional product information, features and options, see catalog.

For Bulk Chain pricing, see page 33.

*Lifts other than Standard should be figured from 5' price.

**Optional Load Limiter must be requested at time of order.



Dimensional drawings and photos are not indicative of every capacity. Please refer to catalog for capacity-specific drawings.

LEVER HOISTS

CM TORNADO 360° LEVER HOIST

Capacity (Metric Rated Ton)	Product Code	Standard Lift (Feet)	Dimensions (Inches)				Weight (Pounds)	User Price	Hoist with Load Limiter**		Extra Lift Per Foot *	Adders			
			A	B	C	D			Product Code	User Price		Replacement Latch Kits		Shipyards Hooks	
												Upper Hook	Lower Hook	Upper Hook	Lower Hook
												Product Code & User Price	Product Code & User Price	Product Code & User Price	Product Code & User Price
3/4	TOR07505	5 (1.5)	12.60 (320)	0.79 (20)	1.06 (27)	12.87 (327)	14.6	\$645.00	CTOR07505LL	\$830.00	\$12.70	53820 \$19.61	53820 \$19.61	-	-
	TOR07510	10 (3.0)					16.8	\$708.50	CTOR07510LL	\$893.50				-	-
	TOR07515	15 (4.5)					19	\$772.00	CTOR07515LL	\$957.00				-	-
	TOR07520	20 (6.0)					21.2	\$835.50	CTOR07520LL	\$1,020.50				-	-
	TOR075LCX	Less Chain					11.95	\$581.50	CTOR075LCXLL	\$766.50				-	-
1-1/2	TOR15005	5 (1.5)	14.76 (375)	1.02 (26)	1.22 (31)	12.87 (327)	21	\$968.00	CTOR15005LL	\$1,153.00	\$16.55	53821 \$23.43	53821 \$23.43	00002145	00002145
	TOR15010	10 (3.0)					24.5	\$1,050.75	CTOR15010LL	\$1,235.75				-	-
	TOR15015	15 (4.5)					28.1	\$1,133.50	CTOR15015LL	\$1,318.50				-	-
	TOR15020	20 (6.0)					31.6	\$1,216.25	CTOR15020LL	\$1,401.25				-	-
	TOR150LCX	Less Chain					16.71	\$885.25	CTOR150LCXLL	\$1,070.25				-	-
3	TOR30005	5 (1.5)	17.52 (445)	1.46 (37)	1.57 (40)	14.84 (377)	36.61	\$1,251.00	CTOR30005LL	\$1,436.00	\$21.95	53822 \$30.37	53822 \$30.37	00002383	3403WLP
	TOR30010	10 (3.0)					44.01	\$1,360.75	CTOR30010LL	\$1,545.75				-	-
	TOR30015	15 (4.5)					51.41	\$1,470.50	CTOR30015LL	\$1,655.50				-	-
	TOR30020	20 (6.0)					58.81	\$1,580.25	CTOR30020LL	\$1,765.25				-	-
	TOR300LCX	Less Chain					29.21	\$1,141.25	CTOR300LCXLL	\$1,326.25				-	-
6	TOR60005	5 (1.5)	22.17 (563)	1.77 (45)	1.73 (44)	14.84 (377)	52.26	\$1,867.00	CTOR60005LL	\$2,052.00	\$43.90	53940 \$37.45	53940 \$37.45	-	-
	TOR60010	10 (3.0)					59.66	\$2,086.50	CTOR60010LL	\$2,271.50				-	-
	TOR60015	15 (4.5)					67.06	\$2,306.00	CTOR60015LL	\$2,491.00				-	-
	TOR60020	20 (6.0)					74.46	\$2,525.50	CTOR60020LL	\$2,710.50				-	-
	TOR600LCX	Less Chain					44.86	\$1,647.50	CTOR600LCXLL	\$1,832.50				-	-
9	TOR90005	5 (1.52)	27.36 (695)	2.67 (68)	2.67 (68)	1.96 (50)	109.15	\$3,508.00	TOR90005LL	\$3,693.00	\$65.85	65600005 \$52.45	65600005 \$52.45	-	-
	TOR90010	10 (3.05)					130.95	\$3,837.25	TOR90010LL	\$4,022.25				-	-
	TOR90015	15 (4.57)					152.78	\$4,166.50	TOR90015LL	\$4,351.50				-	-
	TOR90020	20 (6.1)					174.61	\$4,495.75	TOR90020LL	\$4,680.75				-	-
	TOR900LCX	Chainless					82.45	\$3,178.75	TOR900LCXLL	\$3,363.75				-	-

For additional product information, features and options, see catalog.

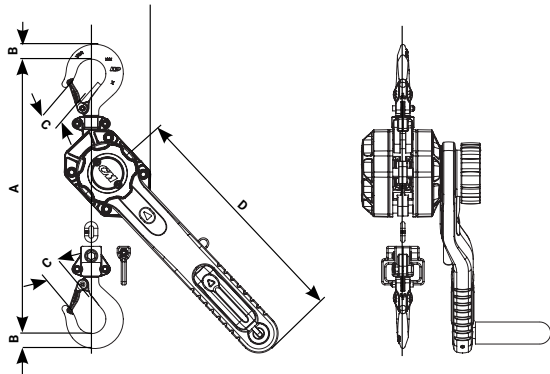
For Bulk Chain pricing, see page 33.

*Lifts other than Standard should be figured from 5' price.

**Optional Load Limiter must be requested at time of order.

TORNADO LATCHLOK HOOK LIST PRICE ADDERS

Capacity	Upper Latchlok Hook Adder	Lower Latchlok Hook Adder
3/4 Ton	\$295.00	\$295.00
1-1/2 Ton	\$339.00	\$339.00
3 Ton	\$365.00	\$365.00
6 Ton	\$738.00	\$738.00



Dimensional drawings and photos are not indicative of every capacity. Please refer to catalog for capacity-specific drawings.



LEVER HOISTS

CM SERIES 640 – PULLER LEVER TOOL

Capacity (Metric Rated Ton)	Product Code	Standard Lift (Feet)	Dimensions (Inches)				Weight (Pounds)	User Price	Hoist with Load Limiter**		Extra Lift Per Foot**	Adders				
			A	B	C	D			Product Code	User Price		Latchlok Hook Kit Only		Load Limiter Only	Load Sentry Kit Only	Anchor Sling Only
												Upper Hook	Lower Hook			
												Product Code & User Price	Product Code & User Price	Product Code & User Price	Product Code & User Price	Product Code & User Price
3/4	4043	5	10-3/4	1	1- 1/32	21-3/16	16	\$971.00	4193	\$1,561.00	\$21.85	1000 \$415	1001 \$415	4190 \$590	4096 \$573	4071 \$212
	4060	10					20	\$1,080.25	4257	\$1,670.25						
	4250	15					23	\$1,189.50	4258	\$1,779.50						
	4061	20					36	\$1,298.75	4259	\$1,888.75						
	4074	Less Chain†					14	\$861.75	4203	\$1,451.75						
1-1/2	4045	5	14-1/4	1-1/8	1-1/4	21-1/8	26	\$1,352.00	4195	\$1,942.00	\$27.15	1002 \$441	1003 \$441	4191 \$590	4096 \$573	4072 \$282
	4062	10					31	\$1,487.75	4260	\$2,077.75						
	4251	15					36	\$1,623.50	4261	\$2,213.50						
	4063	20					40	\$1,759.25	4262	\$2,349.25						
	4076	Less Chain†					21	\$1,216.25	4205	\$1,806.25						
3	4047	5	16-15/16	1- 5/16	1- 5/16	21-1/8	38	\$1,750.00	4197	\$2,340.00	\$54.30	1004 \$694	1005 \$694	4191 \$590	4096 \$573	4072 \$282
	4065	10					47	\$2,021.50	4263	\$2,611.50						
	4252	15					56	\$2,293.00	4266	\$2,883.00						
	4066	20					65	\$2,564.50	4267	\$3,154.50						
	4078	Less Chain†					27	\$1,478.50	4207	\$2,068.50						
6	4050	5	21-3/8	1-7/8	1-7/8	21-1/8	73	\$3,322.00	4200	\$3,912.00	\$108.60	1007 \$790	1007 \$790	4191 \$590	4096 \$573	4072 \$282
	4051	10					91	\$3,865.00	4268	\$4,455.00						
	4253	15					108	\$4,408.00	4269	\$4,998.00						
	4256	20					128	\$4,951.00	4270	\$5,541.00						
	4079	Less Chain†					54	\$2,779.00	4210	\$3,369.00						

For additional product information, features and options, see catalog.

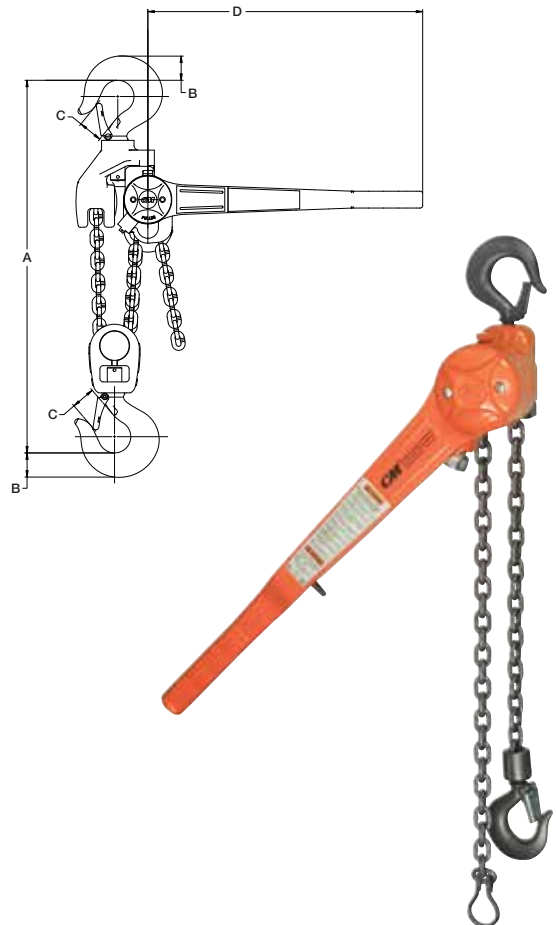
For Bulk Chain pricing, see page 33.

*Lifts other than Standard should be figured from 5' price.

**Optional Load Limiter must be requested at time of order.

CM SERIES 640 PULLER ADDERS

Outdoor Features			Corrosion Resistant Features			Food Grade Features		
Feature	Capacity	Price	Feature	Capacity	Price	Feature	Capacity	Price
Zinc Plated Chain	3/4	N/C	Stainless Steel Upper Hook	Up to 3/4 Only	\$1,758.00	Stainless Steel Upper Hook	Up to 3/4 Only	\$1,758.00
	1-1/2	\$1.45/Ft.	Stainless Steel Lower Hook		\$1,758.00	Stainless Steel Lower Hook		\$1,758.00
	3	\$2.90/Ft.	Stainless Steel Block		\$2,454.00	Stainless Steel Block		\$3,454.00
	6	\$5.80/Ft.	Stainless Steel Load Chain		\$49.60	Stainless Steel Load Chain		\$49.60
Zinc Plated Upper Hook	All	\$596.00	Bronze Upper Hook		\$3,429.00	Fda White Powdercoat		\$102.00
Zinc Plated Lower Hook & Block	All	\$596.00	Bronze Lower Hook		\$3,429.00	USDA with Epoxy		\$510.00
Epoxy Paint	All	\$477.00	-		-	-		-



Dimensional drawings and photos are not indicative of every capacity. Please refer to catalog for capacity-specific drawings.

UTILITY

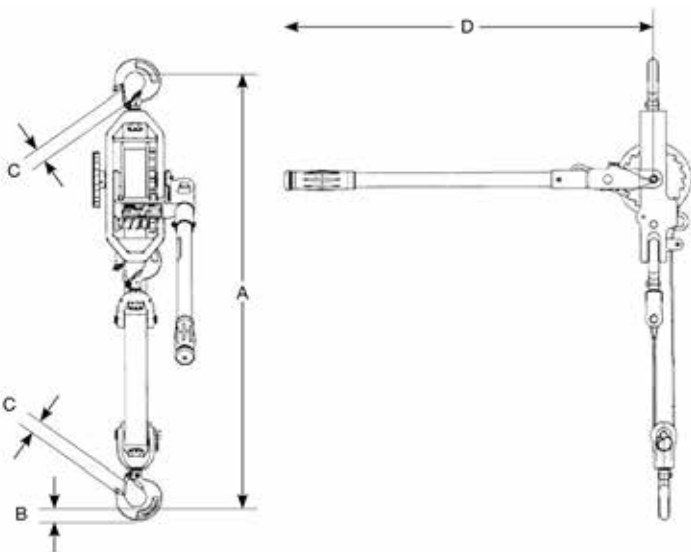
UTILITY

LITTLE MULE STRAP HOIST

Model Number	Product Code	Dimensions (Inches)					User Price	Single Line			Double Line			Web Strap Color	Net Weight (Pounds)	
		A Single	A Double	B	C	D		Capacity (Tons)	Lift (Feet)	Headroom (Inches)	Capacity (Tons)	Lift (Feet)	Headroom (Inches)			
Standard Hooks with Safety Latches																
250A	04190W	17	25	0.94	0.88	21.4	\$646.00	1/2	9	21	1	4.25	25	Green	11	
300A	04141W	17	25	0.94	0.88	21.4	\$677.00	3/4	9	21	1-1/2	4.25	25	Green	11	
322C	04480WC	18.3	23.3	0.94	0.88	25.8	\$677.00	3/4	14	20	1-1/2	7	23	Yellow	11.5	
344C	04490WC	19.5	29.5	1.04	1.02	31.8	\$863.00	1	11	20	2	5.5	23	Blue	12.5	
6000A	04181W	-	27.3	1.44	1.3	25.3	\$2,264.00	N/A	N/A	N/A	3	5	27	Green	25.5	
Hot Stick Ring Hooks with Safety Latches																
250DA	04191W	17	25	0.94	0.88	22.8	\$803.00	1/2	9.25	18	1	4.25	25	Green	11.5	
300DA	04142W	17	25	0.94	0.88	22.8	\$840.00	3/4	9.25	18	1-1/2	4.25	25	Green	11.5	
322DC*	04481WC	18.3	23.3	0.94	0.88	27.2	\$840.00	3/4	14	20	1-1/2	7	23	Yellow	11.5	
344DC	04491WC	19.5	29.5	1.04	1.02	33.2	\$940.00	1	11	20	2	5.5	23	Blue	13	
Standard Hooks with Heavy Duty Swivel Gate Latches																
250CA	04192W	19.6	28.9	1.04	1.13	21.4	\$1,059.00	1/2	9	21	1	4.25	25	Green	11	
300CA	04143W	19.6	28.9	1.04	1.13	21.4	\$1,108.00	3/4	9	21	1-1/2	4.25	25	Green	11	
322CC*	04482WC	20.9	27.2	1.04	1.13	25.8	\$1,108.00	3/4	14	23	1-1/2	7	27	Yellow	11.5	
344CC*	04492WC	21.7	33	1.04	1.13	31.8	\$1,136.00	1	11	23	2	5.5	27	Blue	12.5	
6000CA*	04183W	-	28.9	1.04	1.37	25.3	\$3,410.00	N/A	3	5	29	Green	2	12	LM350	
Hot Stick Ring Hooks with Hot Stick Ring Safety Latches																
250DHA*	04193W	18.3	27	0.94	0.88	22.8	\$851.00	1/2	9.25	18	1	4.25	25	Green	11.5	
300DHA*	04144W	18.3	27	0.94	0.88	22.8	\$881.00	3/4	9.25	18	1-1/2	4.25	25	Green	11.5	
322DHC*	04483WC	19.6	25.3	0.94	0.88	27.2	\$881.00	3/4	14	22	1-1/2	7	26	Yellow	11.5	
344DHC*	04493WC	20.8	31.4	1.04	1.02	33.2	\$970.00	1	11	22	2	5.5	26	Blue	13	

For additional product information, features and options, see catalog.

*Includes Hot Stick Rings on all hooks and control surfaces, and quick disconnect shaft.



Dimensional drawings and photos are not indicative of every capacity. Please refer to catalog for capacity-specific drawings.

UTILITY

LITTLE MULE WIRE GRIP

Capacity (Pounds)	Model	Product Code	Applicable Cable Types			User Price	Wire Size				Grip Type & Features					Jaw & Teeth Configurations		Handle Eye Opening Diameter (Inches)	Weight lbs. (kg)		
			Bare ACSR & Stranded Copper	Aluminum Conductor	EHSC & Messenger Guy Wire		Steel Anchor Rod	Minimum		Maximum		Model Type		Gate Style		Handle				Jaw Length	
								Size in. (mm)	Gauge	Size in. (mm)	Gauge	Standard	Hot Line	Non-Spring Loaded	Spring Loaded	Un-Notched	Notched			Teeth (Inches)	Mount (Inches)
1,000	LMG1000	04451W			X	X	\$203.00	.04 (1.02)	18AWG	.394 (10.01)	1/0AWG	X		X	X		1.38	1.55	1.02	1 (0.45)	
2,000	LMG2000	04452W	X	X	X	X	\$264.00	.109 (2.77)	8AWG	.594 (15.09)	4/0AWG	X		X	X		1.34	1.86	1.0 x 1.5	1.5 (0.68)	
5,000	LMG4500	04453W	X	X			\$292.00	.18 (4.57)	6AWG	.60 (15.24)	4/0AWG	X		X	X		4.1	3.64	1.25 x 2.0	3.6 (1.63)	
5,000	LMG4500A	04478W			X	X	\$341.00	.18 (4.57)	6AWG	.60 (15.24)	4/0AWG	X		X	X		4.1	3.64	1.25 x 2.0	3.6 (1.63)	
5,000	LMG4501	04454W	X	X			\$324.00	.18 (4.57)	6AWG	.60 (15.24)	4/0AWG		X	X		X	4.1	3.64	1.25 x 2.0	3.7 (1.68)	
5,000	LMG4501A	04499W			X		\$372.00	.18 (4.57)	6AWG	.60 (15.24)	4/0AWG		X	X		X	4.1	3.64	1.25 x 2.0	3.7 (1.68)	
5,000	LMG4502	04455W	X	X			\$322.00	.18 (4.57)	6AWG	.60 (15.24)	4/0AWG		X	X		X	4.1	3.64	1.25 x 2.0	3.7 (1.68)	
5,000	LMG4503	04456W	X	X			\$392.00	.18 (4.57)	6AWG	.60 (15.24)	4/0AWG		X	X		X	4.1	3.64	1.25 x 2.0	3.7 (1.68)	
10,000	LMG4600	04459W	X	X			\$424.00	.30 (7.62)	1AWG	.80 (20.32)	450MCM	X		X	X		5.08	5.03	1.35 x 2.25	6.7 (3.04)	
10,000	LMG4600A	04479W			X	X	\$474.00	.30 (7.62)	1AWG	.80 (20.32)	450MCM	X		X	X		5.08	5.03	1.35 x 2.25	6.7 (3.04)	
10,000	LMG4601	04460W	X	X			\$465.00	.30 (7.62)	1AWG	.80 (20.32)	450MCM		X	X		X	5.08	5.03	1.35 x 2.25	7 (3.18)	
10,000	LMG4601A	04457W			X		\$522.00	.30 (7.62)	1AWG	.80 (20.32)	450MCM		X	X		X	5.08	5.03	1.35 x 2.25	7 (3.18)	
10,000	LMG4602	04461	X	X			\$458.00	.30 (7.62)	1AWG	.80 (20.32)	450MCM		X	X		X	5.08	5.03	1.35 x 2.25	7 (3.18)	
12,000	LMG4800	04471W	X	X			\$695.00	.70 (17.77)	397MCM	1.25 (32)	1130MCM	X		X	X		5.57	5.64	1.35 x 2.25	8.1 (3.67)	
12,000	LMG4800A	04449W			X		\$888.00	.70 (17.77)	397MCM	1.25 (32)	1130MCM	X		X	X		5.57	5.64	1.35 x 2.25	8.1 (3.67)	
12,000	LMG4801	04472W	X	X			\$752.00	.70 (17.77)	397MCM	1.25 (32)	1130MCM		X	X		X	5.57	5.64	1.35 x 2.25	8.3 (3.76)	
12,000	LMG4801A	04450W			X		\$940.00	.70 (17.77)	397MCM	1.25 (32)	1130MCM		X	X		X	5.57	5.64	1.35 x 2.25	8.3 (3.76)	
12,000	LMG4802	04473	X	X			\$750.00	.70 (17.77)	397MCM	1.25 (32)	1130MCM		X	X		X	5.57	5.64	1.35 x 2.25	8.3 (3.76)	
20,000	LMG4700	04465W	X	X			\$1,587.00	.70 (17.77)	397MCM	1.25 (32)	1130MCM	X		X	X		7.58	7.38	2.5 x 3.6	20.6 (9.34)	
20,000	LMG4701	04466W	X	X			\$1,718.00	.70 (17.77)	397MCM	1.25 (32)	1130MCM		X	X		X	7.58	7.38	2.5 x 3.6	21 (9.53)	
20,000	LMG4702	04467W	X	X			\$1,714.00	.70 (17.77)	397MCM	1.25 (32)	1130MCM		X	X		X	7.58	7.38	2.5 x 3.6	21 (9.53)	
20,000	LMG4900	04475W	X	X			\$2,822.00	1.24 (31.50)	1130MCM	1.8 (45.72)	2312MCM			X			11.75	11.75	2.5 x 3.45	34.4 (15.60)	

For additional product information, features and options, see catalog.

More aggressive tooth design reduces slippage and cable damage. Add \$46.00 Per unit.



UTILITY

COFFING[®] G SERIES
HOISTS

Model Number [†]	Product Code	Capacity (Tons)	Dimensions (Inches)				Standard Lift (Inches)	Strands of Load Chain	Weight (Pounds)	User Price	Extra Chain Per Foot of Lift
			A	B	C	D					
AG	05101W	3/4	13	1	1	18-3/4	56-1/2	1	18	\$1,016.00	\$24.90
AGI	05103W	3/4	13	1	1	18-3/4	56-1/2	1	1	\$1,471.00	\$24.90
ATG	05105W	1-1/2	15	1	1	18-3/4	57	2	22	\$1,409.00	\$49.80
ATGI	05107W	1-1/2	15	1	1	18-3/4	57	2	23	\$1,864.00	\$49.80
FG	05109W	1-1/2	16	1-1/8	1-1/8	27-5/8	56-1/2	1	29	\$1,568.00	\$49.30
FGI	05111W	1-1/2	16	1-1/8	1-1/8	27-5/8	56-1/2	1	35	\$2,023.00	\$49.30
FTG	05113W	3	17-5/8	1-1/8	1-1/8	27-5/8	57	2	39	\$1,893.00	\$98.60
FTGI	05115W	3	17-5/8	1-1/8	1-1/8	27-5/8	57	2	45	\$2,348.00	\$98.60
ZG-41/2	05117W	4-1/2	25	1-13/16	1-11/16	33-5/8	53	3	56	\$3,150.00	\$147.90
ZG-6	05119W	6	25	1-13/16	1-11/16	33-5/8	53	4	68	\$3,436.00	\$197.20
WG-9	05121W	9	30	2-1/8	1-5/8	33-5/8	60	5	130	\$7,592.00	\$246.50
WG-11	05123W	11	30	2-1/8	1-5/8	33-5/8	60	6	137	\$7,949.00	\$295.80
WG13	05125W	13	30	2-1/8	1-5/8	33-5/8	60	7	145	\$8,665.00	\$345.10
WG-15	05127W	15	30	2-1/8	1-5/8	33-5/8	60	8	152	\$9,235.00	\$394.40

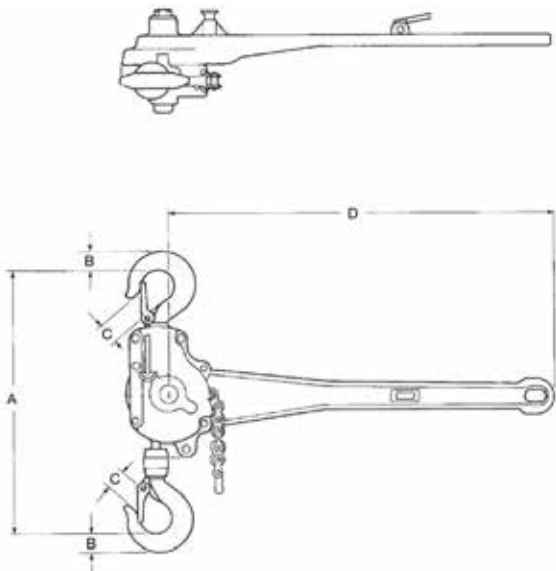
For additional product information, features and options, see catalog.

For Bulk Chain pricing, see page 33.

[†] First designation is Single-Pawl model, and second "I" designation is Double-Pawl model.
NOTE: For complete dimensional data, refer to Coffing Dimensional Databook.

BULLARD HOOKS
(ADD TO STANDARD MODEL PRICES)

Models	User Price
All 3/4 Ton Models	\$343.00
All 1-1/2 Ton Models	\$407.00
All 3 Ton Models	\$457.00
Other Models	Price on Application



Dimensional drawings and photos are not indicative of every capacity. Please refer to catalog for capacity-specific drawings.

HAND CHAIN HOISTS

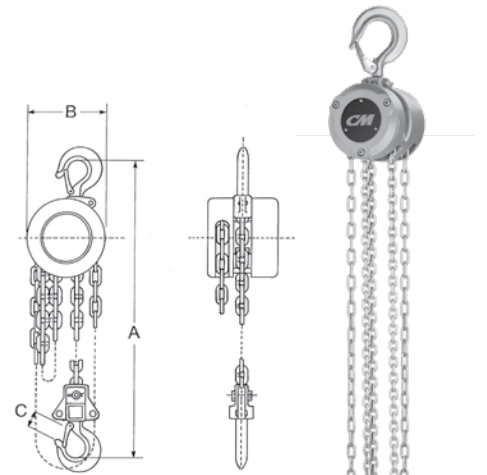
HAND CHAIN HOISTS

CM HURRICANE MINI 360° HAND CHAIN HOIST

Capacity (Tons)	Product Code	Standard Lift (Feet)	Dimensions (Inches)			Weight (Pounds)	User Price
			A	B	C		
1/4	MHU02510	10	9.69	3.25	0.80	6.5	\$325.00
	MHU02515	15				8	\$410.00
	MHU02520	20				9.5	\$470.00
1/2	MHU05010	10	10.38	4	0.8	8.7	\$405.00
	MHU05015	15				10.7	\$487.00
	MHU05020	20				12.7	\$570.00

For additional product information, features and options, see catalog.

For Bulk Chain pricing, see page 33.



Dimensional drawings and photos are not indicative of every capacity. Please refer to catalog for capacity-specific drawings.

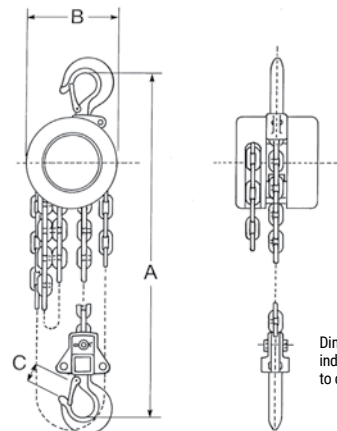
CM SERIES 622A HAND CHAIN HOIST

Capacity (Tons)	Product Code	Standard Lift (Feet)	Dimensions (Inches)			Weight (Pounds)	User Price	Extra Lift (Per Foot)			Replacement Latch Kits	
			A	B	C			Hand Chain	Load Chain	Hand & Load Chain	Upper	Lower
1/2	2255A	10	11-5/8	4-15/16	4-5/16	18	\$212.00	\$10.30	\$8.90	\$19.20	22928A \$26.32	22928A \$26.32
	2208A	15				25	\$308.00					
	2231A	20				30	\$404.00					
	2263A	30				38	\$596.00					
	2225A	Less Chain				9	\$172.00					
1	2256A	10	13	5-19/32	5-1/16	26	\$242.00	\$10.30	\$8.90	\$19.20	22929A \$26.32	22929A \$26.32
	2210A	15				30	\$338.00					
	2262A	20				38	\$434.00					
	2264A	30				48	\$626.00					
	2300A	Less Chain				13	\$201.00					
2	2258A	10	18-1/8	8-5/16	6-5/8	61	\$485.00	\$10.30	\$10.05	\$20.35	22930A \$31.33	22930A \$31.33
	2213A	15				71	\$586.75					
	2233A	20				80	\$688.50					
	2272A	30				85	\$892.00					
	2322A	Less Chain				23	\$268.00					
3	2259A	10	21-29/32	8-5/16	6-5/8	89	\$595.00	\$10.30	\$20.10	\$30.40	22933A \$83.96	22933A \$83.96
	2223A	15				99	\$747.00					
	2214A	20				109	\$899.00					
	2323A	Less Chain				29	\$381.00					
	2260A	10				91	\$1,348.00					
5	2257A	15	23-7/8	14-3/32	6-5/8	107	\$1,615.00	\$10.30	\$43.10	\$53.40	22934A \$83.96	22934A \$83.96
	2234A	20				123	\$1,882.00					
	2324A	Less Chain				56	\$1,010.00					

For additional product information, features and options, see catalog.

For Bulk Chain pricing, see page 33.

All 622 Hand Chain Hoists are metric rated. Standard Hand Chain drop 2' less than Lift. Imported.



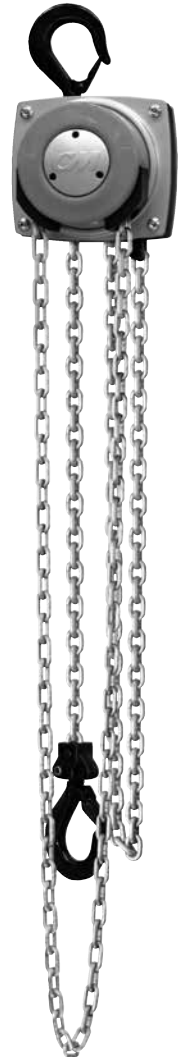
Dimensional drawings and photos are not indicative of every capacity. Please refer to catalog for capacity-specific drawings.

HAND CHAIN HOISTS

CM HURRICANE 360° HAND CHAIN HOIST

Capacity (tons)	Product Code	Standard Lift (Feet)	Dimensions (Inches)			Weight (Pounds)	User Price	Extra Lift (Per Foot)			Replacement Latch Kits	
			A	B	C			Hand Chain	Load Chain	Hand & Load Chain	Upper	Lower
1/2	5623A	10	11.811	5.827	0.945	21	\$428.00	\$13.10	\$9.10	\$22.20	00400449 \$7.35	00400449 \$7.35
	5624A	15				23	\$539.00					
	5625A	20				25	\$650.00					
	5651A	30				29	\$872.00					
	5632A	Less Chain				17	\$206.00					
1	5626A	10	13.189	6.89	1.142	28	\$487.00	\$13.10	\$10.30	\$23.40	00400450 \$7.91	00400450 \$7.91
	5627A	15				31	\$604.00					
	5628A	20				34	\$721.00					
	5653A	30				40	\$955.00					
	5633A	Less Chain				23	\$253.00					
2	5629A	10	15.551	7.992	1.378	47	\$759.00	\$13.10	\$13.00	\$26.10	00400451 \$9.26	00400451 \$9.26
	5630A	15				52	\$889.50					
	5631A	20				57	\$1,020.00					
	5634A	Less Chain				36	\$498.00					
3	5635A	10	20.472	9.843	1.575	75	\$1,291.00	\$13.10	\$21.95	\$35.05	00400647 \$10.29	00400647 \$10.29
	5636A	15				82	\$1,466.25					
	5637A	20				89	\$1,641.50					
	5638A	Less Chain				52	\$940.50					
5	5639A	10	25.748	9.843	1.85	106	\$1,674.00	\$13.10	\$43.90	\$57.00	65600004 \$21.98	65600004 \$21.98
	5640A	15				121	\$1,959.00					
	5641A	20				136	\$2,244.00					
	5642A	Less Chain				74	\$1,104.00					
10	5643A	10	32.48	15.079	2.677	217	\$3,311.00	\$13.10	\$65.85	\$78.95	65600005 \$52.45	65600005 \$52.45
	5644A	15				240	\$3,705.75					
	5645A	20				261	\$4,100.50					
	5646A	Less Chain				168	\$2,521.50					
15	HU15000H10	10	43.543	23.071	3.15	455	\$8,792.00	\$26.20	\$131.70	\$157.90	-	-
	HU15000H15	15				508	\$9,581.50					
	HU15000H20	20				554	\$10,371.00					
	HU15000H30	30				653	\$11,950.00					
20	HU20000H10	10	43.543	23.071	3.15	455	\$8,792.00	\$26.20	\$131.70	\$157.90	-	-
	HU20000H15	15				508	\$9,581.50					
	HU20000H20	20				554	\$10,371.00					
	HU20000H30	30				653	\$11,950.00					

Dimensional drawings and photos are not indicative of every capacity. Please refer to catalog for capacity-specific drawings.



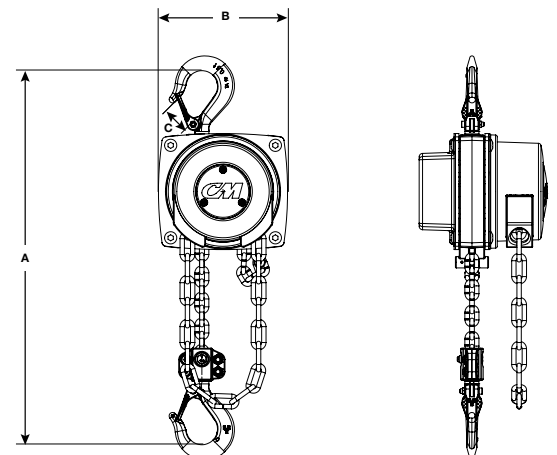
For additional product information, features and options, see catalog or contact customer service.

For Army-Type Trolley Hoist, see page 36 – 41.

For Bulk Chain pricing, see page 33.

HURRICANE 360° LATCHLOK HOOK LIST PRICE ADDERS

Capacity	Hook Suspended Part#	Upper Latchlok Hook Adder	Lower Latchlok Hook Adder	Trolley Hoist Part#	Lower Latchlok Hook Adder
1/2 Ton	5632AS	\$389	\$389	HU500CF	\$389
1 Ton	5633AS	\$443	\$443	HU1000CF	\$443
2 Ton	5634AS	\$690	\$690	HU2000CF	\$690
3 Ton	5638AS	\$1,174	\$1,174	HU3000CF	\$1,174
5 Ton	5642AS	\$1,522	\$1,522	HU5000CF	\$1,522



HAND CHAIN HOISTS

COFFING[®] COFFING LHH-NC HAND CHAIN HOIST

Capacity (Tons)	Product Code	Standard Lift (Feet)	Dimensions (Inches)			Weight (Pounds)	User Price	Extra Lift (Per Foot)			Replacement Latch Kits	
			A	B	C			Hand Chain	Load Chain	Hand & Load Chain	Upper	Lower
1/2	LHH05010NC	10	11.299	5.827	0.906	21	\$510.00	\$13.10	\$9.10	\$20.00	4X1303	4X1303
	LHH05015NC	15				23	\$621.00					
	LHH05020NC	20				25	\$732.00					
	LHH050NCLCX	Less Chain				17	\$419.00					
1	LHH10010NC	10	12.087	6.890	1.024	28	\$585.00	\$13.10	\$10.30	\$21.20	4X1304	4X1304
	LHH10015NC	15				31	\$702.00					
	LHH10020NC	20				34	\$819.00					
	LHH100NCLCX	Less Chain				23	\$482.00					
1-1/2	LHH15010NC	10	14.213	7.992	1.102	47	\$889.00	\$13.10	\$13.00	\$23.90	4X1303	4X1303
	LHH15015NC	15				52	\$1,019.50					
	LHH15020NC	20				57	\$1,150.00					
	LHH150NCLCX	Less Chain				36	\$759.00					
2	LHH20010NC	10	14.213	7.992	1.102	47	\$1,014.00	\$13.10	\$13.00	\$23.90	4X1303	4X1303
	LHH20015NC	15				52	\$1,144.50					
	LHH20020NC	20				57	\$1,275.00					
	LHH200NCLCX	Less Chain				36	\$884.00					
3	LHH30010NC	10	19.528	8.799	1.417	75	\$1,736.00	\$13.10	\$21.95	\$32.85	4X1307	4X1307
	LHH30015NC	15				82	\$1,911.25					
	LHH30020NC	20				89	\$2,086.50					
	LHH300NCLCX	Less Chain				52	\$1,516.50					
5	LHH50010NC	10	25.118	8.799	1.575	106	\$2,229.00	\$13.10	\$43.90	\$54.80	4X1309	4X1309
	LHH50015NC	15				121	\$2,514.00					
	LHH50020NC	20				136	\$2,799.00					
	LHH500NCLCX	Less Chain				74	\$1,790.00					

Dimensional drawings and photos are not indicative of every capacity. Please refer to catalog for capacity-specific drawings.



For additional product information, features and options, see catalog.

For Bulk Chain pricing, see page 33.

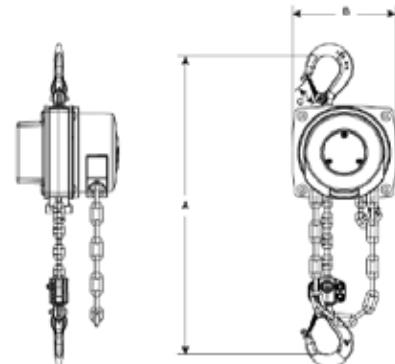
Load limiter add \$185.00 to user price.

Hand chain drop is 2' less than lift, unless specified otherwise.

† See "Load Test Policy" for Less Chain hoists on page 48.

LHH-NC LATCHLOK HOOK LIST PRICE ADDERS

Capacity	Hook Suspended Part#	Upper Latchlok Hook Adder	Lower Latchlok Hook Adder
1/2 ton	LHH050NCCF	\$389	\$389
1 ton	LHH100NCCF	\$443	\$443
1-1/2 ton	LHH150NCCF	\$690	\$690
2 ton	LHH200NCCF	\$690	\$690
3 ton	LHH300NCCF	\$1,174	\$1,174
5 ton	LHH500NCCF	\$1,522	\$1,522

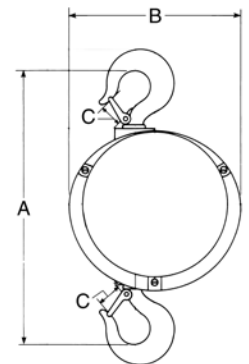


HAND CHAIN HOISTS

CM CYCLONE HAND CHAIN HOIST SERIES 646

Capacity (Tons)	Product Code	Standard Lift (Feet)	Dimensions (Inches)			Weight (Pounds)	User Price	Extra Lift (Per Foot)			Replacement Latch Kits	
			A	B	C			Hand Chain	Load Chain	Hand & Load Chain	Upper	Lower
1/4	4621	10	12-7/8	10-7/8	1-1/32	40	\$1,605.00	\$20.40	\$21.85	\$42.25	45661	45661
	4722	15				47	\$1,816.25					
	4732	20				55	\$2,027.50					
	4641	Less Chain†				33	\$1,182.50					
1/2	4622	10	12-7/8	10-7/8	1-1/32	40	\$1,605.00	\$20.40	\$21.85	\$42.25	45661	45661
	4723	15				47	\$1,816.25					
	4733	20				55	\$2,027.50					
	4642	Less Chain†				33	\$1,182.50					
1	4624	10	14	10-7/8	1-1/8	43	\$1,887.00	\$20.40	\$25.90	\$46.30	45662	45662
	4724	15				51	\$2,118.50					
	4734	20				60	\$2,350.00					
	4644	Less Chain†				34	\$1,424.00					
1-1/2	4625	10	17-5/16	10-7/8	1-5/16	70	\$2,531.00	\$20.40	\$29.90	\$50.30	45663	45663
	4725	15				81	\$2,782.50					
	4735	20				92	\$3,034.00					
	4645	Less Chain†				34	\$2,028.00					
2	4626	10	17-5/16	10-7/8	1-5/16	70	\$2,889.00	\$20.40	\$29.90	\$50.30	45663	45663
	4893	15				81	\$3,140.50					
	4894	20				92	\$3,392.00					
	4646	Less Chain†				53	\$2,386.00					
3	4627	10	21-1/2	12-1/4	1-5/8	103	\$3,982.00	\$20.40	\$59.80	\$80.20	45664	45664
	4726	15				122	\$4,383.00					
	4736	20				144	\$4,784.00					
	4647	Less Chain†				70	\$3,180.00					
4	4628	10	21-1/2	12-1/4	1-5/8	103	\$4,735.00	\$20.40	\$59.80	\$80.20	45664	45664
	4727	15				122	\$5,136.00					
	4737	20				144	\$5,537.00					
	4648	Less Chain†				73	\$3,933.00					
5	4629	10	24-1/4	14-1/2	1-5/8	138	\$5,636.00	\$20.40	\$89.70	\$110.10	45664	45664
	4728	15				163	\$6,186.50					
	4738	20				188	\$6,737.00					
	4649	Less Chain†				91	\$4,535.00					
6	4630	10	25-1/4	14-1/2	1-3/4	142	\$5,674.00	\$20.40	\$89.70	\$110.10	45665	45665
	4729	15				167	\$6,224.50					
	4739	20				192	\$6,775.00					
	4650	Less Chain†				95	\$4,573.00					
8	4631	10	34-1/2	17-1/2	2-1/16	248	\$8,563.00	\$20.40	\$119.60	\$140.00	45697	45697
	4730	15				280	\$9,263.00					
	4740	20				312	\$9,963.00					
	4651	Less Chain†				185	\$7,163.00					
10	4632	10	35-1/2	17-1/2	2-9/16	251	\$9,225.00	\$20.40	\$149.50	\$169.90	45697	45697
	4731	15				290	\$10,074.50					
	4741	20				329	\$10,924.00					
	4652	Less Chain†				200	\$7,526.00					

Dimensional drawings and photos are not indicative of every capacity. Please refer to catalog for capacity-specific drawings.



ADDERS

Please Note: Adders should be used in place of standard adders, not in addition to them.

Outdoor Features			Corrosion Resistant Features			Food Grade Features		
Feature	Capacity	Price	Feature	Capacity	Price	Feature	Capacity	Price
Zinc Plated Load Chain	1/4 & 1/2 Ton	\$0.00/Ft.	Stainless Steel Hand Chain	All	\$40.65	Stainless Steel Hand Chain	All	\$40.65
	1 Ton	\$0.00/Ft.	Stainless Steel Upper Hook	Up To 1 Ton	\$1,041.00	Stainless Steel Upper Hook	Up To 1 Ton	\$1,041.00
	1 1/2 & 2 Ton	\$0.65/Ft.	Stainless Steel Lower Hook	Up To 1 Ton	\$1,041.00	Stainless Steel Lower Hook	Up To 1 Ton	\$1,041.00
	3 & 4 Ton	\$1.30/Ft.	Stainless Steel Block	Up To 1 Ton	\$1,453.00	Stainless Steel Block	Up To 1 Ton	\$1,453.00
	5 & 6 Ton	\$1.95/Ft.						
	8 Ton	\$2.60/Ft.	Stainless Steel Load Chain	1/4 & 1/2	\$70.10	Stainless Steel Load Chain	1/4 & 1/2	\$70.10
10 Ton	\$3.25/Ft.	1		\$90.90	1		\$90.90	
Zinc Plated Hand Chain	All	\$0.15/Ft.	Aluminum Hand Chain		\$26.40	FDA White Powdercoat	All	\$102.00
Zinc Plated Upper Hook	All	\$596.00	Bronze Upper Hook	1/4 & 1/2	\$694.00	Usda With Epoxy	All	\$510.00
Zinc Plated Lower Hook & Block	1 Part Reeving	\$580.00		1	\$2,028.00	-	-	-
	2 Or 3 Part Reeving	\$596.00		1 1/2 & 2	\$4,159.00	-	-	-
	4 Or 5 Part Reeving	\$966.00	1/4 & 1/2	\$694.00	-	-	-	
Epoxy Paint	All	\$477.00	Bronze Lower Hook	1	\$2,028.00	-	-	-
				1 1/2 & 2	\$4,159.00	-	-	-

For additional product information, features and options, see catalog.

For Bulk Chain pricing, see page 33.

Bullard Hooks, Latchlok Hooks, and Eye-Type Suspension are available. Contact factory.

For Army-Type and Low Headroom Trolley Hoists, see page 36 - 41.

For Chain Container options, see page 40.

† See "Load Test Policy" for Less Chain Hoists on page 48.

HAND CHAIN HOISTS



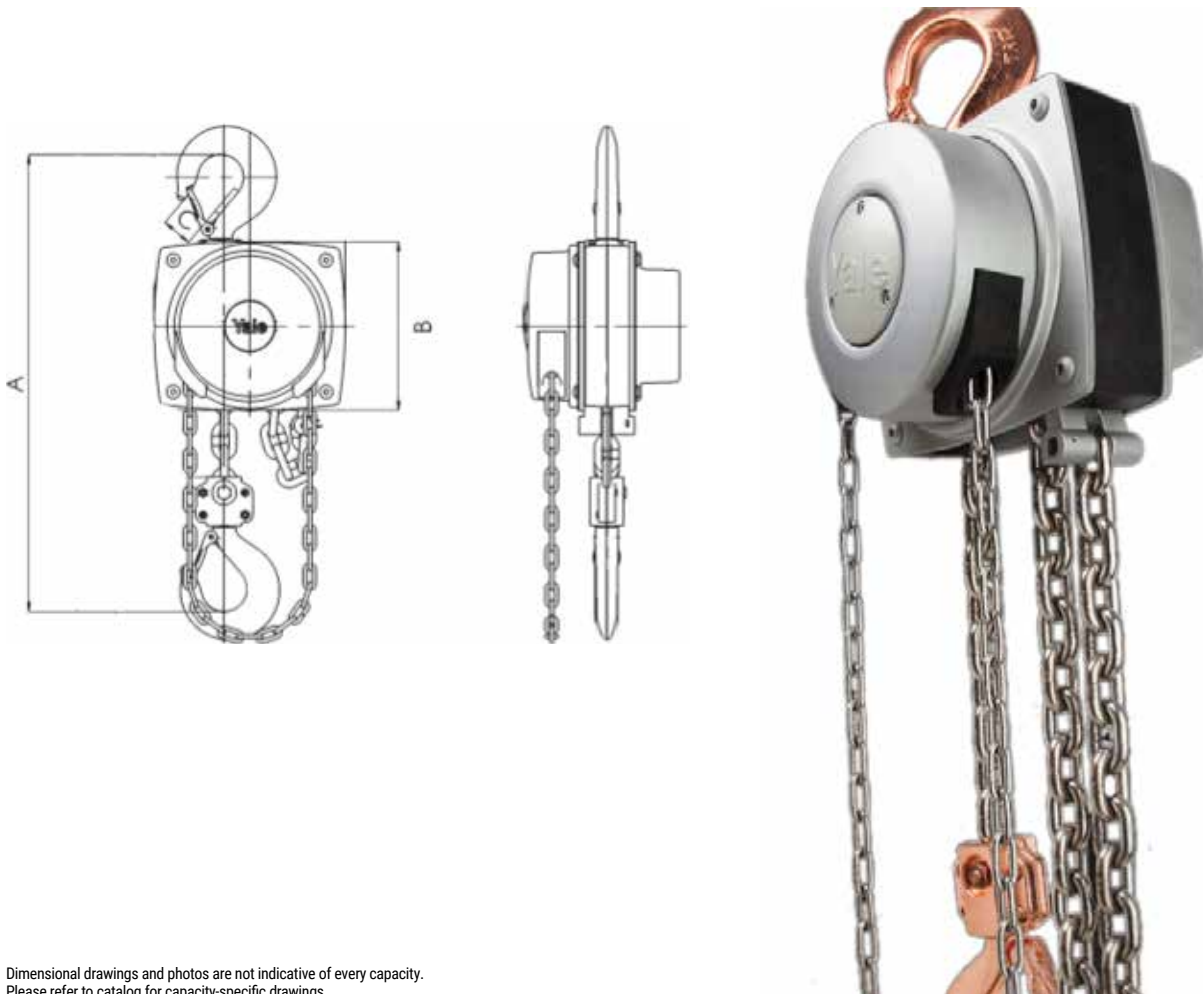
**YALELIFT 360° ATEX HOOK SUSPENDED MODEL
(SPARK RESISTANT)**

Capacity (Tons)	Model Number	Product Code	Standard Lift* (Feet)	Dimensions (Inches)			Weight (Pounds)	List Price	Extra Lift (Per Foot)	
				A	B	C			Load Chain (Stainless Steel)	Hand Chain
1/4	YL ATEX 250	YLATEX250HCF	10	13.19	6.14	1.14	28.6	\$2,653.00	\$19.25	\$23.15
1/2	YL ATEX 500	YLATEX500HCF	10	13.19	6.14	1.14		\$2,838.00	\$19.25	\$23.15
1	YL ATEX 1000	YLATEX1000HCF	10	13.19	6.14	1.14		\$2,966.00	\$19.25	\$23.15
1-1/2	YL ATEX 1500	YLATEX1500HCF	10	20.47	8.66	1.58	63.9	\$3,579.00	\$19.25	\$23.15
2	YL ATEX 2000	YLATEX2000HCF	10	20.47	8.66	1.58		\$3,867.00	\$19.25	\$23.15
3	YL ATEX 3000	YLATEX3000HCF	10	25.75	8.66	1.85	83.7	\$5,563.00	\$38.50	\$23.15
4	YL ATEX 4000	YLATEX4000HCF	10	25.75	8.66	1.85		\$6,862.00	\$38.40	\$23.15
5	YL ATEX 5000	YLATEX5000HCF	10	32.48	8.66	2.68	156.5	\$7,571.00	\$57.75	\$23.15
6	YL ATEX 6000	YLATEX6000HCF	10	32.48	8.66	2.68		\$9,667.00	\$57.75	\$23.15
8	YL ATEX 8000	YLATEX8000HCF	10	39.76	11.93	2.52	432.1	\$12,748.00	\$115.50	\$23.15
10	YL ATEX 10000	YLATEX10000HC	10	39.76	11.93	2.52		\$15,279.00	\$115.50	\$23.15
12	YL ATEX 12000	YLATEX12000HC	10	39.76	11.93	2.52		\$15,555.00	\$115.50	\$23.15

For additional product information, features and options, see catalog.

For Bulk Chain pricing, see page 33.

*Lifts other than Standard should be figured from 10' price.



Dimensional drawings and photos are not indicative of every capacity. Please refer to catalog for capacity-specific drawings.

BULK CHAIN

CM LOAD CHAIN

	Hoist Description	Capacity (Tons)	Diameter (Inches)	Per Foot		Per Drum			
				Chain Per Foot Product Code	Chain Per Foot User Price	Length Per Drum (Feet)	Drum Weight (Pounds)	Chain Per Drum Product Code	Drum User Price
LEVER HOISTS	Series 653A	3/4	0.218	635221	\$12.70	500	223	635221D500	\$6,350.00
	Series 653A	1 to 1-1/2	0.276	85961Z	\$16.55	500	354	85961ZD500	\$8,275.00
	Series 653A	2 to 6	0.394	85394	\$21.95	500	735	85394D500	\$10,975.00
	LSB	3/4 to 1	0.218	T56	\$16.85	500	175	08851W	\$8,425.00
	LSB	1-1/2	0.281	KHH5009T	\$21.35	500	375	08883W	\$10,675.00
	LSB	3 to 6	0.354	V9	\$25.90	500	625	08871W	\$12,950.00
	LSB-NC	3/4	0.218	T56BZ	\$12.70	500	223	T56BZD500	\$6,350.00
	LSB-NC	1 to 1-1/2	0.276	85961BZ	\$16.55	500	354	85961BZD500	\$8,275.00
	LSB-NC	3 to 6	0.394	85395	\$21.95	500	735	85395D500	\$10,975.00
	Tornado 360	3/4	0.218	635221	\$12.70	500	223	635221D500	\$6,350.00
	Tornado 360	1-1/2	0.276	85961Z	\$16.55	500	354	85961ZD500	\$8,275.00
	Tornado 360	3 to 6	0.394	85394	\$21.95	500	735	85394D500	\$10,975.00
	Tornado 360	9	0.394	85339	\$21.95	500	735	85339D500	\$10,975.00
	640 Puller	3/4	0.250	85839	\$21.85	250	152	85928	\$5,462.50
	640 Puller	3/4	0.250	85839	\$21.85	500	304	85007	\$10,925.00
640 Puller	1-1/2 to 6	0.312	85847	\$27.15	200	190	85931	\$5,430.00	
640 Puller	1-1/2 to 6	0.312	85847	\$27.15	500	439	85009	\$13,575.00	
HAND CHAIN HOISTS	Series 622A (Import Chain)	1/2 to 1	0.226	85834A	\$8.90	1970	1036	192065141	\$17,533.00
	Series 622A (Import Chain)	2 to 3	0.312	85959A	\$10.05	1312	1213	192065142	\$13,185.60
	Series 622A (Import Chain)	5	0.394	85960A	\$21.55	656	970	192065143	\$14,136.80
	Series 622A (USA Chain)	1/2 to 1	0.236	85959	\$10.30	250	130	85002	\$2,575.00
	Series 622A (USA Chain)	2-3	0.312	635131	\$13.00	200	177	85029	\$2,600.00
	Series 622A (USA Chain)	5	0.394	85960	\$21.95	200	292	85003	\$4,390.00
	LHH-C	1/2	0.197	GHH5009T	\$9.50	500	179	08881W	\$4,750.00
	LHH-C	1	0.250	JHH5009T	\$13.40	500	291	08882W	\$6,700.00
	LHH-C	1-1/2	0.281	KHH5009T	\$21.35	500	441	08883W	\$10,675.00
	LHH-C	2	0.312	LHH5009T	\$22.70	500	366	-	\$11,350.00
	LHH-C	3	0.394	LSB19 2	\$22.70	500	366	08870W	\$11,350.00
	LHH-C	5	0.281	KHH5009T	\$21.35	500	366	08883W	\$10,675.00
	LHH-NC	1/2	0.197	85826	\$9.10	200	75	635131ZD200	\$1,820.00
	LHH-NC	1	0.236	85789	\$10.30	250	129	85028	\$2,575.00
	LHH-NC	1-1/2 to 2	0.312	635232	\$13.00	250	220	85826D250	\$3,250.00
	LHH-NC	3 to 5	0.394	85963	\$21.95	500	726	80563	\$10,975.00
	Hurricane 360°	1/4 to 1/2	0.197	85826	\$9.10	200	75	635131ZD200	\$1,820.00
	Hurricane 360°	1	0.236	85789	\$10.30	250	129	85028	\$2,575.00
	Hurricane 360°	2	0.312	635232	\$13.00	250	220	85826D250	\$3,250.00
	Hurricane 360°	3	0.394	85963	\$21.95	500	726	80563	\$10,975.00
	Hurricane 360°	5	0.394	85963	\$21.95	500	726	80563	\$10,975.00
	Hurricane 360°	10	0.394	85963	\$21.95	500	726	80563	\$10,975.00
	Hurricane 360°	15 to 20	0.394	85963	\$21.95	500	726	80563	\$10,975.00
	Cyclone	1/4 to 1/2	1/4	85839	\$21.85	250	152	85928	\$5,462.50
	Cyclone	1/4 to 1/2	1/4	85839	\$21.85	500	304	85007	\$10,925.00
	Cyclone	1	9/32	85841	\$25.90	200	150	85930	\$5,180.00
	Cyclone	1	9/32	85841	\$25.90	500	366	85008	\$12,950.00
	Cyclone	1-1/2 to 10	3/8	85864	\$29.90	200	274	85932	\$5,980.00
Cyclone	1-1/2 to 10	3/8	85864	\$29.90	500	688	85010	\$14,950.00	
Bandit	3/4	-	635221	\$12.70	500	223	635221D500	\$6,350.00	
Bandit	1-1/2	-	85961Z	\$16.55	500	354	85961ZD500	\$8,275.00	
Bandit	3	-	85394	\$21.95	500	735	85394D500	\$10,975.00	

Minimum order quantity domestic chain is 100 feet. Minimum order quantity for import chain 328 feet.

CM HAND CHAIN

	Hoist Description	Capacity (Tons)	Diameter (Inches)	Per Foot		Per Drum			
				Chain Per Foot Product Code	Chain Per Foot User Price	Length Per Drum (Feet)	Drum Weight (Pounds)	Chain Per Drum Product Code	Drum User Price
HAND CHAIN HOISTS	Series 622	1/4 to 10	0.192	85832	\$5.30	250	75	85997	\$1,325.00
	Series 622A (Import Chain)	1/4 to 10	0.197	85832A	\$5.15	3280	1036	192065144	\$16,892.00
	LHH	All	0.197	GHH5009J	\$5.20	1,000	293	08886W	\$5,200.00
	LHH-NC	All	0.197	04307654	\$6.55	1000	310	04307654ZPB10	\$6,550.00
	Hurricane 360°	1/2 to 10	0.192	04307654	\$6.55	1000	310	04307654ZPB10	\$6,550.00
	Cyclone	1/4 to 10	15/64	85808	\$10.20	250	116	85927	\$2,550.00
	Cyclone	1/4 to 10	15/64	85808	\$10.20	500	228	85006	\$5,100.00

Minimum order quantity domestic chain is 100 feet. Minimum order quantity for import chain is 656 feet.

Chain Returns: Chain (Lifting, Tie Down, Load Chain, Hand Chain) is not eligible for return except when it is unused, in the original manufacturers packaging, and in the same configuration as received, as defined by CMCO. Drums will only be accepted if they contain the original, continuous length chain initially supplied. Chain pieces are not eligible for return. Returned chain must be clean and free of corrosion. A packing list with the exact specifications of the chain being returned must be filled out and sent with the product. All returns must comply with the standard CMCO Returned Goods (RGA) process. To request a RGA, please contact our customer service department at 1-800-888-0985.

INTEGRATED TROLLEY HOIST

INTEGRATED TROLLEY HOISTS

CM HURRICANE 360° ARMY-TYPE, INTEGRATED TROLLEY HOIST

Capacity (tons)	Product Code		Standard Lift (Feet)	Dimensions (Inches)			Standard Flange Adjustment Range (Inches)	Weight (Pounds)				User Price		Extra Lift (Per Foot)				
				A	B	C		Plain Trolley A	Geared Trolley A	Plain Trolley B	Geared Trolley B	Plain Trolley	Geared Trolley	Hand Chain		Load Chain Only	Hand & Load Chain	
	Plain Trolley	Geared Trolley												Plain Trolley	Geared Trolley		Plain Trolley	Geared Trolley
1/2	HU500PA10	HU500GA10	10	9.65	2.36	0.94	"A" Size* 3.94 to 7.09	44	53	46	55	\$1,191.00	\$1,427.00	\$13.10	\$26.20	\$9.10	\$22.20	\$35.30
	HU500PA15	HU500GA15	15					45	54	48	57	\$1,302.00	\$1,603.50					
	HU500PA20	HU500GA20	20					47	56	51	60	\$1,413.00	\$1,780.00					
	HU500PA30	HU500GA30	30					50	59	56	65	\$1,635.00	\$2,133.00					
1	HU1000PA10	HU1000GA10	10	10.71	2.36	1.14	"A" Size* 3.94 to 7.09	60	71	64	73	\$1,374.00	\$1,610.00	\$13.10	\$26.20	\$10.30	\$23.40	\$36.50
	HU1000PA15	HU1000GA15	15					62	73	66	75	\$1,491.00	\$1,792.50					
	HU1000PA20	HU1000GA20	20					65	76	69	78	\$1,608.00	\$1,975.00					
	HU1000PA30	HU1000GA30	30					70	81	74	83	\$1,842.00	\$2,340.00					
2	HU2000PA10	HU2000GA10	10	12.72	3.15	1.38	"A" Size* 3.94 to 7.09	97	108	101	110	\$1,769.00	\$2,003.00	\$13.10	\$26.20	\$13.00	\$26.10	\$39.20
	HU2000PA15	HU2000GA15	15					102	113	106	115	\$1,899.50	\$2,199.00					
	HU2000PA20	HU2000GA20	20					106	117	110	119	\$2,030.00	\$2,395.00					
	HU2000PA30	HU2000GA30	30					115	126	119	128	\$2,291.00	\$2,787.00					
3	HU3000PA10	HU3000GA10	10	15.04	4.41	1.57	"A" Size* 3.94 to 7.09	170	181	174	185	\$2,559.00	\$2,927.00	\$13.10	\$26.20	\$21.95	\$35.05	\$48.15
	HU3000PA15	HU3000GA15	15					177	188	181	192	\$2,734.25	\$3,167.75					
	HU3000PA20	HU3000GA20	20					184	195	188	199	\$2,909.50	\$3,408.50					
	HU3000PA30	HU3000GA30	30					198	209	202	213	\$3,260.00	\$3,890.00					
5	HU5000PA10	HU5000GA10	10	21.65	4.92	1.85	"A" Size* 3.94 to 7.09	275	286	284	295	\$3,753.00	\$4,006.00	\$13.10	\$26.20	\$43.90	\$57.00	\$70.10
	HU5000PA15	HU5000GA15	15					289	300	298	309	\$4,038.00	\$4,356.50					
	HU5000PA20	HU5000GA20	20					304	315	313	324	\$4,323.00	\$4,707.00					
	HU5000PA30	HU5000GA30	30					333	344	342	353	\$4,893.00	\$5,408.00					
10	-	HU10000GB10	10	30.87	5.91	2.68	"B" Size 7.09 to 11.81	-	-	-	445	-	\$9,107.00	-	\$26.20	\$65.85	-	\$92.05
	-	HU10000GB15	15					-	-	-	466	-	\$9,567.25	-				
	-	HU10000GB20	20					-	-	-	488	-	\$10,027.50	-				
	-	HU10000GB30	30					-	-	-	531	-	\$10,948.00	-				
15	-	HU15000GB10	10	45.47	5.91	2.52	"B" Size 7.09 to 11.81	-	-	-	894	-	\$12,576.00	-	\$39.30	\$131.70	-	\$171.00
	-	HU15000GB15	15					-	-	-	936	-	\$13,431.00	-				
	-	HU15000GB20	20					-	-	-	978	-	\$14,286.00	-				
	-	HU15000GB30	30					-	-	-	1062	-	\$15,996.00	-				
20	-	HU20000GB10	10	45.47	5.91	2.52	"B" Size 7.09 to 11.81	-	-	-	894	-	\$12,576.00	-	\$39.30	\$131.70	-	\$171.00
	-	HU20000GB15	15					-	-	-	936	-	\$13,431.00	-				
	-	HU20000GB20	20					-	-	-	978	-	\$14,286.00	-				
	-	HU20000GB30	30					-	-	-	1062	-	\$15,996.00	-				

For additional product information, features and options, see catalog.

For Bulk Chain pricing, see page 33.

*Lifts other than Standard should be figured from 10' price.

Other Lifts available. Contact factory.

Standard Hand Chain drop 2' less than lift.

Note: Additional Hand Chain for Hand Geared Trolley Only...Add \$13.10 list Per foot of drop.

Pricing for Hoists with Hand Geared Trolley in chart assumes Hand Chain drop is for both Hoist and Trolley.

TROLLEY GUARDS:

Included as standard equipment. If pre-installed rubber bumpers are also required for Plain and Geared Trolley, please specify and apply \$94.00 list.

BEAM FLANGE ADJUSTMENT:

1/2 thru 5 Ton Geared Trolleys have a standard flange adjustment range of 3.94 - 7.09".

If second adjustment of 7.09 - 11.81" is required please specify and apply \$175.00 list 10 thru 20 Ton Geared Trolleys have a flange adjustment range of 7.09 - 11.81" only.

TRACK CLAMPS:

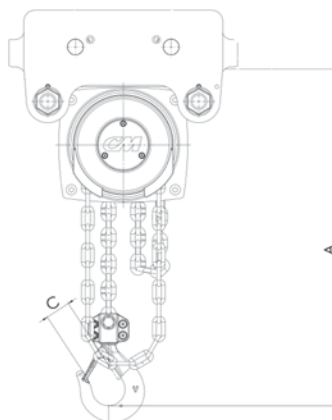
Available up to 5 Ton capacity. If required, please specify and apply the following:

1/2 thru 2 Ton capacity.....\$121.00 list

3 Ton capacity.....\$792.00 list

5 Ton capacity.....\$1010.00 list

Dimensional drawings and photos are not indicative of every capacity. Please refer to catalog for capacity-specific drawings.



INTEGRATED TROLLEY HOISTS

CHAIN CONTAINERS FOR HURRICANE 360 HOOK-TYPE & ARMY-TYPE INTEGRATED TROLLEY HOIST

Capacity (Tons)	Lift (Feet)	Weight (Pounds)	Part Number	User Price
1/2	40	5	X85003163	\$166.00
	60	7	X85003171	\$180.00
	98	10	N04602010	\$195.00
1	40	5	X85003164	\$166.00
	60	7	X85003172	\$180.00
2	40	7	X85003165	\$166.00
3	40	10	X85003166	\$218.00
	80	17	N04600060	\$371.00
5	20	10	X85003167	\$218.00
	30	12	X85003175	\$231.00
	40	14	N04600057	\$371.00
10	20	10	X85003174	\$218.00
	26	17	N04600060	\$371.00
	44	19	X85003209	\$499.00
15	10	10	X85003174	\$218.00
	33	17	N04600060	\$371.00
	44	19	X85003209	\$499.00
20	10	10	X85003174	\$218.00
	33	17	N04600060	\$371.00
	44	19	X85003209	\$499.00

INTEGRATED TROLLEY HOISTS

CM CYCLONE HAND CHAIN HOIST

Capacity (Tons)	Product Code		Standard Lift (Feet)	Dimensions (Inches)			Standard Flange Width Range (Inches)	Weight (Pounds)		User Price		Extra Lift (Per Foot)				
	Plain Trolley	Geared Trolley		A	B	C		Plain Trolley	Geared Trolley	Plain Trolley	Geared Trolley	Hand Chain		Load Chain	Hand & Load Chain	
												Plain Trolley	Geared Trolley		Plain Trolley	Geared Trolley
1/4	4521	4541	10	11-3/4	3-1/8	1	2-5/8 - 5-1/2	69	111	\$3,094.00	\$5,172.00	\$20.40	\$40.80	\$21.85	\$42.25	\$62.65
	4766	4778	15					76	118	\$3,305.25	\$5,485.25					
	4790	4806	20					84	126	\$3,516.50	\$5,798.50					
1/2	4522	4542	10	11-3/4	3-1/8	1	2-5/8 - 5-1/2	69	111	\$3,094.00	\$5,172.00	\$20.40	\$40.80	\$21.85	\$42.25	\$62.65
	4767	4779	15					76	118	\$3,305.25	\$5,485.25					
	4791	4808	20					84	126	\$3,516.50	\$5,798.50					
1	4524	4544	10	11-3/4	3-1/8	1	2-5/8 - 5-1/2	81	133	\$3,516.00	\$5,270.00	\$20.40	\$40.80	\$25.90	\$46.30	\$66.70
	4768	4780	15					89	141	\$3,747.50	\$5,603.50					
	4792	4814	20					97	150	\$3,979.00	\$5,937.00					
1-1/2	4525	4545	10	15-5/16	4-3/4	1-3/8	3-3/8 - 5-5/8	140	169	\$4,854.00	\$5,882.00	\$20.40	\$40.80	\$29.90	\$50.30	\$70.70
	4769	4781	15					152	180	\$5,105.50	\$6,235.50					
	4793	4815	20					164	191	\$5,357.00	\$6,589.00					
2	4526	4546	10	15-5/16	4-3/4	1-3/8	3-3/8 - 5-5/8	140	169	\$4,854.00	\$5,882.00	\$20.40	\$40.80	\$29.90	\$50.30	\$70.70
	4770	4782	15					152	180	\$5,105.50	\$6,235.50					
	4794	4816	20					164	191	\$5,357.00	\$6,589.00					
3	4527	4547	10	18-7/8	5	1-5/8	3-3/8 - 5-5/8	189	237	\$6,737.00	\$7,775.00	\$20.40	\$40.80	\$59.80	\$80.20	\$100.60
	4771	4783	15					208	256	\$7,138.00	\$8,278.00					
	4795	4817	20					226	274	\$7,539.00	\$8,781.00					
4	4528	4548	10	18-7/8	5	1-5/8	3-3/8 - 5-5/8	202	237	\$8,868.00	\$10,628.00	\$20.40	\$40.80	\$59.80	\$80.20	\$100.60
	4772	4784	15					221	256	\$9,269.00	\$11,131.00					
	4796	4818	20					239	274	\$9,670.00	\$11,634.00					
5	4529	4549	10	23-1/2	6	1-5/8	4 - 6-1/4	278	310	\$9,218.00	\$12,491.00	\$20.40	\$40.80	\$89.70	\$110.10	\$130.50
	4773	4785	15					303	335	\$9,768.50	\$13,143.50					
	4797	4819	20					328	360	\$10,319.00	\$13,796.00					
6	4530	4550	10	24	6	1-3/4	4 - 6-1/4	283	315	\$10,075.00	\$12,685.00	\$20.40	\$40.80	\$89.70	\$110.10	\$130.50
	4774	4786	15					308	340	\$10,625.50	\$13,337.50					
	4798	4820	20					333	365	\$11,176.00	\$13,990.00					
8	4531	4551	10	28-1/4	8	2-5/16	5 - 8	522	602	\$22,973.00	\$24,473.00	\$20.40	\$40.80	\$119.60	\$140.00	\$160.40
	4775	4787	15					543	634	\$23,673.00	\$25,275.00					
	4799	4821	20					600	666	\$24,373.00	\$26,077.00					
10	4532	4552	10	28-1/4	8	2-5/16	5 - 8	529	612	\$24,428.00	\$26,775.00	\$20.40	\$40.80	\$149.50	\$169.90	\$190.30
	4776	4788	15					568	651	\$25,277.50	\$27,726.50					
	4800	4822	20					607	690	\$26,127.00	\$28,678.00					
12	4533	4553	10	30-3/8	8	3	5-1/2 - 8	1,068	1,098	\$28,542.00	\$30,702.00	\$20.40	\$40.80	\$179.40	\$199.80	\$220.20
	4777	4789	15					1,114	1,144	\$29,541.00	\$31,803.00					
	4805	4823	20					1,190	1,190	\$30,540.00	\$32,904.00					

*Lifts other than Standard should be figured from 10' price.

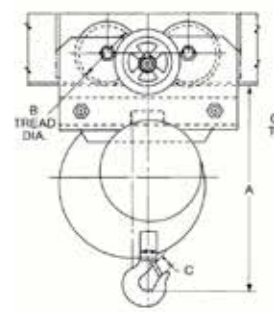
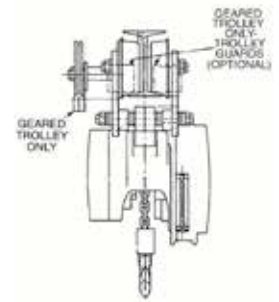
For non-standard Lifts, apply additional Load & Chain Adders to 10' Lift model.

** Beam size must be specified when ordering.

STD Hand Chain Drop 2 feet. less than Lift.

Note: Additional Hand Chain for Hand Geared Trolley Only...Add \$20.40 list Per Foot of drop.

Pricing for Hoists with Hand Geared Trolleys in Pricing Chart assume Hand Chain drop is for both Hoist and Trolley.



Dimensional drawings and photos are not indicative of every capacity. Please refer to catalog for capacity-specific drawings.

ADDERS

Please Note: Adders should be used in place of standard adders, not in addition to them.

Outdoor Features			Corrosion Resistant Features			Food Grade Features		
Feature	Capacity	Price	Feature	Capacity	Price	Feature	Capacity	Price
Zinc Plated Load Chain	1/4 & 1/2 Ton	\$0.00/Ft.	Stainless Steel Hand Chain	All	\$40.65	Stainless Steel Hand Chain	All	\$40.65
	1 Ton	\$0.00/Ft.	Stainless Steel Upper Hook	Up to 1 Ton	\$1,041.00	Stainless Steel Upper Hook	Up to 1 Ton	\$1,041.00
	1 1/2 & 2 Ton	\$0.65/Ft.	Stainless Steel Lower Hook	Up to 1 Ton	\$1,041.00	Stainless Steel Lower Hook	Up to 1 Ton	\$1,041.00
	3 & 4 Ton	\$1.30/Ft.	Stainless Steel Block	Up to 1 Ton	\$1,453.00	Stainless Steel Block	Up to 1 Ton	\$1,453.00
	5 & 6 Ton	\$1.95/Ft.						
Zinc Plated Hand Chain	8 Ton	\$2.60/Ft.	Stainless Steel Load Chain	1/4 & 1/2	\$70.10	Stainless Steel Load Chain	1/4 & 1/2	\$70.10
	10 Ton	\$3.25/Ft.		1	\$90.90		1	\$90.90
Zinc Plated Upper Hook	All	\$596.00	Aluminum Hand Chain	All	\$26.40	FDA White Powdercoat	All	\$102.00
Zinc Plated Lower Hook & Block	1 Part Reeving	\$580.00	Bronze Upper Hook	1/4 & 1/2	\$694.00	USDA with Epoxy	All	\$510.00
				1	\$2,028.00			
				1 1/2 & 2	\$4,159.00			
				1/4 & 1/2	\$694.00			
Epoxy Paint	All	\$477.00	Bronze Lower Hook	1	\$2,028.00	-	-	-
				1 1/2 & 2	\$4,159.00	-	-	-

INTEGRATED TROLLEY HOISTS

CM CYCLONE HAND CHAIN HOIST CYCLONE LOW HEADROOM TROLLEY HOIST**

Capacity (Tons)	Product Code		Standard Lift (Feet)	Dimensions (Inches)			Standard Flange Width Range (In.)	Weight (Pounds)		User Price		Extra Lift (Per Foot)				
	Plain Trolley	Geared Trolley		A	B	C		Plain Trolley	Geared Trolley	Plain Trolley	Geared Trolley	Hand Chain		Load Chain	Hand & Load Chain	
												Plain Trolley	Geared Trolley		Plain Trolley	Geared Trolley
1/2	4832	-	10	8-7/8	4-3/4	1-1/32	3-3/8 - 5	91	-	\$4,121.00	-	\$20.40	-	\$21.85	\$42.25	-
	4850	-	15					98	-	\$4,332.25	-					
	4879	-	20					106	-	\$4,543.50	-					
1	4834	-	10	9-1/4	4-3/4	1-1/8	3-3/8 - 5	96	-	\$4,372.00	-	\$20.40	-	\$25.90	\$46.30	-
	4851	-	15					104	-	\$4,603.50	-					
	4880	-	20					113	-	\$4,835.00	-					
1-1/2	4835	4925	10	12-1/2	4-5/8	1-5/16	3-5/8 - 5-1/2	191	215	\$6,512.00	\$7,962.00	\$20.40	\$40.80	\$29.90	\$50.30	\$70.70
	4853	4874	15					202	226	\$6,763.50	\$8,315.50					
	4881	4887	20					213	237	\$7,015.00	\$8,669.00					
2	4836	4926	10	12-1/2	4-5/8	1-5/16	3-5/8 - 5-1/2	191	221	\$6,512.00	\$7,962.00	\$20.40	\$40.80	\$29.90	\$50.30	\$70.70
	4861	4896	15					202	232	\$6,763.50	\$8,315.50					
	4882	4897	20					213	243	\$7,015.00	\$8,669.00					
3	4837	4927	10	14-1/8	4-5/8	1-5/8	3-5/8 - 5-1/2	210	240	\$7,817.00	\$8,485.00	\$20.40	\$40.80	\$59.80	\$80.20	\$100.60
	4863	4875	15					229	259	\$8,218.00	\$9,988.00					
	4883	4888	20					247	277	\$8,619.00	\$9,491.00					
4	4838	4928	10	16-3/4	5-7/8	1-5/8	4 - 7	315	379	\$10,452.00	\$12,630.00	\$20.40	\$40.80	\$59.80	\$80.20	\$100.60
	4871	4876	15					334	398	\$10,853.00	\$13,133.00					
	4884	4889	20					352	416	\$11,254.00	\$13,636.00					
5	4839	4929	10	18-1/4	5-7/8	1-5/8	4 - 7	338	380	\$10,899.00	\$14,528.00	\$20.40	\$40.80	\$89.70	\$110.10	\$130.50
	4872	4877	15					363	405	\$11,449.50	\$15,180.50					
	4885	4890	20					388	430	\$12,000.00	\$15,833.00					
6	4840	4930	10	18-1/4	5-7/8	1-3/4	4 - 7	387	357	\$12,095.00	\$15,225.00	\$20.40	\$40.80	\$89.70	\$110.10	\$130.50
	4873	4878	15					412	382	\$12,645.50	\$15,877.50					
	4886	4891	20					437	407	\$13,196.00	\$16,530.00					

Note: Additional Hand Chain for Hand Geared Trolley Only...Add \$20.40 list Per Foot of drop.

Pricing for Hoists with Hand Geared Trolleys in pricing chart assume Hand Chain drop is for both Hoist and Trolley.



CM CYCLONE HAND CHAIN HOIST ADDERS

Capacity (Tons)	Latchlok Hook Kit Only*		Plain Trolley Hoist Kit
	Upper	Lower	
1/4	\$255.00	\$233.00	\$1,005.00
1/2	\$255.00	\$233.00	\$1,005.00
1	\$255.00	\$233.00	\$1,088.00
1-1/2	\$522.00	\$590.00	\$1,391.00
2	\$522.00	\$590.00	\$1,391.00
3	\$457.00	\$457.00	-
4	\$457.00	\$457.00	-
5	\$626.00	\$626.00	-
6	\$626.00	\$626.00	-
8	\$817.00	\$817.00	-
10	\$817.00	\$817.00	-

*Lifts other than Standard should be figured from 5' price.

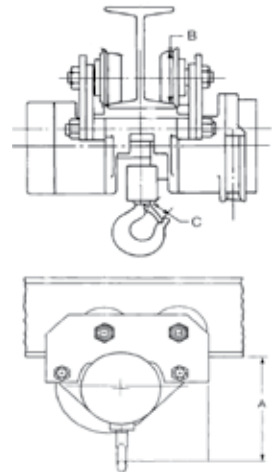
For non-standard Lifts, apply additional Load & Chain Adders to 10' Lift model.

STD Hand Chain drop 2' less than Lift.

** Beam size must be specified when ordering.

Dimensional drawings and photos are not indicative of every capacity. Please refer to catalog for capacity-specific drawings.

** Applies to Lower Hook only for Trolley Hoists. Prices also apply for Latchlok Hooks factory installed as original equipment.



CM CYCLONE HAND CHAIN HOIST SERIES 646 LOW HEADROOM TROLLEY HOIST ADDERS

Please Note: Adders should be used in place of standard adders, not in addition to them.

Outdoor Features			Corrosion Resistant Features			Food Grade Features		
Feature	Capacity	Price	Feature	Capacity	Price	Feature	Capacity	Price
Zinc Plated Load Chain	1/4 & 1/2 Ton	\$0.00/Ft.	Stainless Steel Hand Chain	All	\$40.65	Stainless Steel Hand Chain	All	\$40.65
	1 Ton	\$0.00/Ft.	Stainless Steel Upper Hook	Up to 1 Ton	\$1,041.00	Stainless Steel Upper Hook	Up to 1 Ton	\$1,041.00
	1 1/2 & 2 Ton	\$0.65/Ft.	Stainless Steel Lower Hook	Up to 1 Ton	\$1,041.00	Stainless Steel Lower Hook	Up to 1 Ton	\$1,041.00
	3 & 4 Ton	\$1.30/Ft.	Stainless Steel Block	Up to 1 Ton	\$1,453.00	Stainless Steel Block	Up to 1 Ton	\$1,453.00
	5 & 6 Ton	\$1.95/Ft.						
	8 Ton	\$2.60/Ft.	Stainless Steel Load Chain	1/4 & 1/2	\$70.10	Stainless Steel Load Chain	1/4 & 1/2	\$70.10
	10 Ton	\$3.25/Ft.		1	\$90.90		1	\$90.90
Zinc Plated Hand Chain	All	\$0.15/Ft.	Aluminum Hand Chain		\$26.40	FDA White Powdercoat	All	\$102.00
Zinc Plated Upper Hook	All	\$596.00	Bronze Upper Hook	1/4 & 1/2	\$694.00	USDA with Epoxy	All	\$510.00
Zinc Plated Lower Hook & Block	1 part reeving	\$580.00		1	\$2,028.00	-	-	-
	2 or 3 part reeving	\$596.00		1 1/2 & 2	\$4,159.00	-	-	-
	4 or 5 part reeving	\$966.00	1/4 & 1/2	\$694.00	-	-	-	
Epoxy Paint	All	\$477.00	Bronze Lower Hook	1	\$2,028.00	-	-	-
				1 1/2 & 2	\$4,159.00	-	-	-

INTEGRATED TROLLEY HOISTS

CM CYCLONE, ARMY-TYPE & LOW HEADROOM TROLLEY HOIST

Capacity (Tons)	Maximum Length of Lift (Feet)	Chain Container Length (Inches)	Weight (Pounds)	Cyclone & Army-Type		Low Headroom Trolley Hoist	
				Product Code	User Price	Product Code	User Price
Fabric Chain Bags							
1/4 - 1/2	18	7	3	2482	\$288.00	2493	\$314.00
	18.1 to 36	10	3	2483	\$310.00	2494	\$339.00
	36.1 to 54	13	3	2484	\$338.00	-	-
1	11	7	3	2482	\$288.00	2493	\$314.00
	11.1 to 24	10	3	2483	\$310.00	2494	\$339.00
	24.1 to 37	13	3	2484	\$338.00	-	-
	37.1 to 55	16	4	-	-	2496	\$425.00
1-1/2 - 2	13	10	3	2488	\$310.00	2488	\$310.00
	13.1 to 20	13	3	2489	\$338.00	2489	\$338.00
	20.1 to 29	16	4	2490	\$392.00	2490	\$392.00
	29.1 to 35	18	4	2491	\$516.00	2491	\$516.00
	35.1 to 49	20	4	2492	\$627.00	2492	\$627.00
3 - 4	10	13	3	2489	\$338.00	2489	\$338.00
	10.1 to 15	16	4	2490	\$392.00	2490	\$392.00
	15.1 to 18	18	4	2491	\$516.00	2491	\$516.00
	18.1 to 25	20	4	2492	\$627.00	2492	\$627.00
5 - 6	10	16	4	2490	\$392.00	2490	\$392.00
	10.1 to 12	18	4	2491	\$516.00	2491	\$516.00
	12.1 to 17	20	4	2492	\$627.00	2492	\$627.00
8	12	20	4	2492	\$627.00	2492	\$627.00
10	10	20	4	2492	\$627.00	2492	\$627.00
Metal Chain Containers							
1/4 - 1/2	10 to 18	11	4	4603CF-374S	\$168.00	4614CF-330S	\$174.00
	18.1 to 27	14	5	4603CF-375S	\$168.00	4614CF-331S	\$174.00
	27.1 to 36	17	5	4603CF-376S	\$187.00	4614CF-332S	\$198.00
	36.1 to 45	20	6	4603CF-377S	\$195.00	4614CF-333S	\$201.00
	45.1 to 54	23	7	4603CF-378S	\$206.00	4614CF-334S	\$218.00
	54.1 to 78	31	8	4603CF-379S	\$232.00	4614CF-335S	\$245.00
	78.1 to 93	36	9	4603CF-380S	\$295.00	4614CF-336S	\$295.00
	93.1 to 129	48	12	4603CF-381S	\$366.00	4614CF-337S	\$366.00
1	11	11	4	4603CF-382S	\$168.00	4614CF-339S	\$174.00
	11.1 to 18	14	5	4603CF-383S	\$168.00	4614CF-340S	\$174.00
	18.1 to 24	17	5	4603CF-384S	\$187.00	4614CF-341S	\$198.00
	24.1 to 31	20	6	4603CF-385S	\$195.00	4614CF-342S	\$201.00
	31.1 to 37	23	6	4603CF-386S	\$212.00	4614CF-343S	\$222.00
	37.1 to 55	31	8	4603CF-387S	\$232.00	4614CF-344S	\$245.00
	55.1 to 66	36	9	4603CF-388S	\$295.00	4614CF-345S	\$295.00
	66.1 to 92	48	12	4603CF-389S	\$366.00	4614CF-346S	\$366.00
1-1/2 - 2	10 to 13	17	5	4603CF-353S	\$195.00	4614CF-353S	\$195.00
	13.1 to 16	20	6	4603CF-354S	\$200.00	4614CF-354S	\$200.00
	16.1 to 20	23	6	4603CF-355S	\$215.00	4614CF-355S	\$215.00
	20.1 to 29	31	8	4603CF-356S	\$240.00	4614CF-356S	\$240.00
	29.1 to 35	36	9	4603CF-357S	\$299.00	4614CF-357S	\$299.00
	35.1 to 49	48	12	4603CF-358S	\$369.00	4614CF-358S	\$369.00
3 - 4	10	23	6	4603CF-360S	\$215.00	4614CF-360S	\$215.00
	10.1 to 15	31	8	4603CF-361S	\$240.00	4614CF-361S	\$240.00
	15.1 to 18	36	9	4603CF-362S	\$299.00	4614CF-362S	\$299.00
	18.1 to 25	48	12	4603CF-363S	\$369.00	4614CF-363S	\$369.00
5 - 6	10	31	8	4603CF-367S	\$240.00	4614CF-367S	\$240.00
	10.1 to 12	36	9	4603CF-368S	\$340.00	4614CF-368S	\$299.00
	12.1 to 17	48	12	4603CF-369S	\$369.00	4614CF-369S	\$369.00
8	10 to 12	48	12	4603CF-396S	\$369.00	-	-
10	10	48	12	4603CF-397S	\$369.00	-	-

INTEGRATED TROLLEY HOISTS

Yale HOISTS YALELIFT 360° ATEX

Capacity (Tons)	Model Number	Product Code	Standard Lift (Feet)	Dimensions (Inches)			Size	Beam Flange Width b (mm)	Beam Flange Thickness t max (mm)	Curve Radius Min. (m)	Weight lb. (kg.)	List Price	Extra Lift Per Foot	
				A	B	C							Load Chain (Stainless Steel)	Hand Chain
Integrated Push-Type Trolley														
1/4	YL ATEX 250	YLATEX250PCF	10	10.71	2.36	1.14	A	50 - 180	19	0.9	59.5 (27)	\$3,680.00	\$19.25	\$23.15
1/2	YL ATEX 500	YLATEX500PCF	10	10.71	2.36	1.14	A					\$4,334.00	\$19.25	\$23.15
1	YL ATEX 1000	YLATEX1000PCF	10	10.71	2.36	1.14	A					\$4,507.00	\$19.25	\$23.15
1 1/2	YL ATEX 1500	YLATEX1500PCF	10	9.92	4.41	1.57	A	74 - 180	27	1.5	169.7 (77)	\$5,363.00	\$19.25	\$23.15
2	YL ATEX 2000	YLATEX2000PCF	10	9.92	4.41	1.57	A					\$5,838.00	\$19.25	\$23.15
Integrated Geared-Type Trolley														
1/4	YL ATEX 250	YLATEX250GCF	10	10.71	2.36	1.14	A	50 - 180	19	0.9	70.5 (32)	\$5,034.00	\$19.25	\$23.15
1/2	YL ATEX 500	YLATEX500GCF	10	10.71	2.36	1.14	A					\$5,822.00	\$19.25	\$23.15
1	YL ATEX 1000	YLATEX1000GCF	10	10.71	2.36	1.14	A					\$6,094.00	\$19.25	\$23.15
1 1/2	YL ATEX 1500	YLATEX1500GCF	10	9.92	4.41	1.57	A	74 - 180	27	1.5	180.7 (82)	\$6,270.00	\$19.25	\$23.15
2	YL ATEX 2000	YLATEX2000GCF	10	9.92	4.41	1.57	A					\$6,402.00	\$19.25	\$23.15
3	YL ATEX 3000	YLATEX3000GCF	10	10.26	4.92	1.85	A	98 - 180	27	2	286.6 (130)	\$7,888.00	\$38.50	\$23.15
4	YL ATEX 4000	YLATEX4000GCF	10	10.26	4.92	1.85	A					\$11,589.00	\$38.40	\$23.15
5	YL ATEX 5000	YLATEX5000GCF	10	30.87	5.91	2.68	B	125 - 310	40	1.8	On Request	\$13,232.00	\$57.75	\$23.15
6	YL ATEX 6000	YLATEX6000GCF	10	30.87	5.91	2.68	B					\$19,191.00	\$57.75	\$23.15
8	YL ATEX 8000	YLATEX8000GCF	10	-	-	-	B	180 - 310	40	5	On Request	\$25,896.00	\$115.50	\$23.15
10	YL ATEX 10000	YLATEX10000GC	10	-	-	-	B					\$27,951.00	\$115.50	\$23.15
12	YL ATEX 12000	YLATEX12000GC	10	-	-	-	B					\$26,627.00	\$115.50	\$23.15

For additional product information, features and options, see catalog.

For Bulk Chain pricing, see page 33.

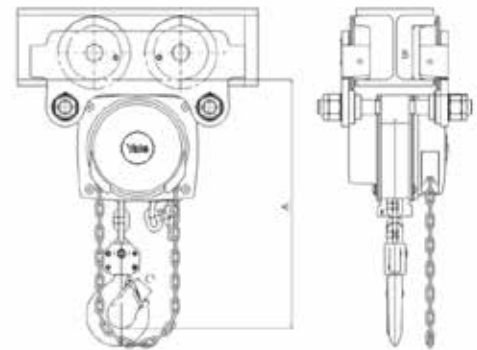
NOTE:

*For additional lifts, begin with 10' and add extra charges.
 For load limiter add \$249.00 to user price.
 Standard Hand Chain drop 2' less than Lift.
 Please contact customer service for drawings of higher capacities.



Yale HOISTS YALELIFT 360° ATEX CHAIN CONTAINER (FABRIC)

Capacity (Tons)	Standard Lift (Feet)	Weight Lbs. (kg)	Product Code	List Price
1/4	19	1.2 (.55)	N04600002	\$243.00
	39	1.2 (.55)	N04600025	\$268.00
1/2	19	1.2 (.55)	N04600002	\$243.00
	39	2.3 (1.05)	N04600025	\$268.00
1	19	1.2 (.55)	N04600002	\$243.00
	39	2.3 (1.05)	N04600025	\$268.00
1-1/2	19	3.8 (1.74)	N04600004	\$274.00
	39	2.3 (1.05)	N04600027	\$303.00
2	19	3.8 (1.74)	N04600004	\$274.00
	39	2.3 (1.05)	N04600027	\$303.00
3	19	4.4 (1.99)	N04600005	\$296.00
	39	2.3 (1.05)	N04600028	\$316.00
4	19	4.4 (1.99)	N04600005	\$296.00
	39	2.3 (1.05)	N04600028	\$316.00
5	9	2.3 (1.05)	N04600027	\$296.00
	19	2.3 (1.05)	N04600032	\$303.00
6	9	2.3 (1.05)	N04600027	\$296.00
	19	2.3 (1.05)	N04600032	\$303.00
8	13	2.3 (1.05)	N04600027	\$296.00
	19	2.3 (1.05)	N04600032	\$303.00
10	13	2.3 (1.05)	N04600027	\$303.00
	19	2.3 (1.05)	N04600032	\$296.00
12	13	2.3 (1.05)	N04600027	\$303.00
	19	2.3 (1.05)	N04600032	\$296.00



Dimensional drawings and photos are not indicative of every capacity. Please refer to catalog for capacity-specific drawings.

BEAM CLAMPS & TROLLEYS

BEAM CLAMPS & TROLLEYS

CM COFFING HOISTS BUDGIT Hoists Yale HOISTS BEAM CLAMP

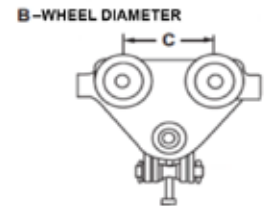
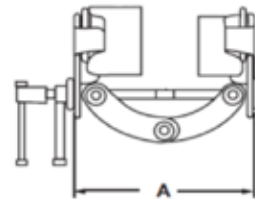
Model Number	Capacity (Tons)	Product Code	Flange Width (Inches)	Weight (Pounds)	User Price
BC-1	1	09001W	3 to 9	8.5	\$153.00
BC-2	2	09002W	3 to 9	10.5	\$173.00
BC-3	3	09003W	3.2 to 12.6	20.25	\$266.00
BC-5	5	09004W	3.6 to 12.2	24.25	\$333.00
BC-10	10	09005W	3.6 to 12.6	34	\$526.00

CM COFFING HOISTS BUDGIT Hoists Yale HOISTS CTP ADJUSTABLE TROLLEY CLAMP

Capacity (Tons)	Product Code	Dimensions (Inches)			I-Beam Flange Range (Inches)	Minimum Radius Curve (Inches)	Wheel Diameter (Inches)	Weight (Pounds)	User Price
		A	B	C					
1	05500024	7.28	2.36	2.95	2-1/4 to 6	24	2.36	5.5	\$427.00
2	05500025	9.84	3.27	5.12	3 to 7-7/8	35	3.27	21.8	\$597.00
2	05500026	9.84	3.27	5.12	7 7/8 to 11 7/8	35	3.27	22.7	\$632.00
3	05500027	10.24	4.37	5.9	3 to 7/8	45	4.37	38.6	\$813.00
3	05500028	10.24	4.37	5.9	7 7/8 to 12 1/2	45	4.37	43	\$864.00

For additional product information, features and options, see catalog.

For Bulk Chain pricing, see page 33.



CM COFFING HOISTS BUDGIT Hoists Yale HOISTS SERIES 632/ COFFING VT PLAIN BALL BEARING TROLLEY, HOOK MOUNT

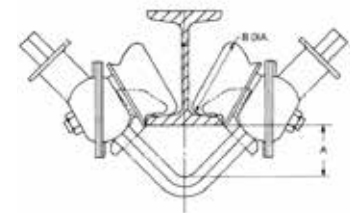
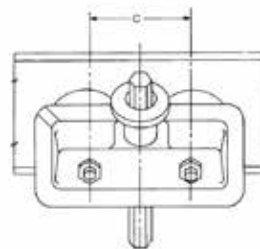
Capacity (Tons)	Product Code	Dimensions (Inches)			I-Beam Flange Range (Inches)	Minimum Radius Curve (Inches)	Wheel Diameter (Inches)	Weight (Pounds)	User Price
		A	B	C					
1/4 - 1/2	3222	1-13/16	2-3/4	3-3/8	2-5/8 to 5-1/16	2-3/4	2-3/4	10	\$446.00
1	3224	1-5/8	2-3/4	3-3/8	2-5/8 to 5-1/16	2-3/4	2-3/4	12	\$530.00
2	3226	2	3-1/2	4-1/2	3-3/8 to 5-5/8	3-1/2	3-1/2	25	\$863.00
3	3230	2-5/8	3-1/2	4-1/2	4 to 6-1/4	3-1/2	3-1/2	33	\$1,518.00

For additional product information, features and options, see catalog.

For Bulk Chain pricing, see page 33.

*Lifts other than Standard should be figured from 5' price.

Prices apply to standard flange adjustments. Apply for prices on other than standard.



Dimensional drawings and photos are not indicative of every capacity. Please refer to catalog for capacity-specific drawings.

BEAM CLAMPS & TROLLEYS



MODEL PT – PRECISION BEARING TROLLEYS
REFER TO BULLETIN F FOR SPECIFICATIONS

Capacity (Tons)	Plain Trolley		Geared Trolley		Flange Width Adjustment Range (Inches)	Minimum Depth (Inches)	Minimum Curve Radius (Inches)
	Catalog Number	List Price	Catalog Number	List Price			
1/4	1641-0025	\$935.00	1642-0025	\$1,613.00	2.66 – 5	4	20
1/2	1641-0050	\$1,059.00	1642-0050	\$1,613.00	2.66 – 5	4	20
1	1641-0100	\$1,062.00	1642-0100	\$1,786.00	3 – 6	5	24
1 1/2	1641-0150	\$1,198.00	1642-0150	\$1,936.00	3 – 6	5	24
2	1641-0200	\$1,308.00	1642-0200	\$2,074.00	3.33 – 6.25	6	30
3	1641-0300	\$1,728.00	1642-0300	\$2,738.00	3.33 – 6.25	6	30
4	1641-0400	\$2,079.00	1642-0400	\$3,060.00	4 – 7	8	36
5	1641-0500	\$2,821.00	1642-0500	\$3,947.00	4 – 7	8	36
6	1641-0600	\$2,821.00	1642-0600	\$3,947.00	4 – 7	8	36
8	1641-0800	\$4,100.00	1642-0800	\$5,599.00	4.62 – 8	10	60
10	1641-1000	\$5,610.00	1642-1000	\$7,335.00	4.62 – 8	10	60
12	1641-1200	\$5,610.00	1642-1200	\$7,814.00	4.62 – 8	10	60
16	1641-1600	\$10,915.00	1642-1600	\$13,696.00	6 – 8	12	96
20	1641-2000	\$11,953.00	1642-2000	\$15,511.00	6 – 8	12	96
25	1631-2500	\$13,498.00	1632-2500	\$17,830.00	6 – 8	18	120

TROLLEYS FOR WIDER BEAMS

Capacity (Tons)	Plain Trolley		Geared Trolley		Flange Width Adjustment Range (Inches)	Minimum Depth (Inches)	Minimum Curve Radius (Inches)
	Catalog Number	List Price	Catalog Number	List Price			
1/4	1641-0025A	\$1,141.00	1642-0025A	\$1,801.00	5.125 – 7	4	20
1/2	1641-0050A	\$1,141.00	1642-0050A	\$1,801.00	5.125 – 7	4	20
1	1641-0100A	\$1,262.00	1642-0100A	\$1,995.00	6.125 – 8	5	24
1 1/2	1641-0150A	\$1,397.00	1642-0150A	\$2,141.00	6.125 – 8	5	24
2	1641-0200A	\$1,660.00	1642-0200A	\$2,437.00	6.375 – 8.25	6	30
3	1641-0300A	\$2,079.00	1642-0300A	\$3,110.00	6.375 – 8.25	6	30
4	1641-0400A	\$2,589.00	1642-0400A	\$3,541.00	7.125 – 9	8	36
5	1641-0500A	\$3,295.00	1642-0500A	\$4,434.00	7.125 – 9	8	36
6	1641-0600A	\$3,295.00	1642-0600A	\$4,434.00	7.125 – 9	8	36
8	1641-0800A	\$5,130.00	1642-0800A	\$6,336.00	8.125 – 10	10	60
10	1641-1000A	\$6,362.00	1642-1000A	\$8,268.00	8.125 – 10	10	60
12	1641-1200A	\$6,362.00	1642-1200A	\$8,268.00	8.125 – 10	10	60
16	1641-1600A	\$11,956.00	1642-1600A	\$14,975.00	8.125 – 10	12	96
20	1641-2000A	\$13,020.00	1642-2000A	\$16,604.00	8.125 – 10	12	96

Capacity (Tons)	Plain Trolley		Geared Trolley		Flange Width Adjustment Range (Inches)	Minimum Depth (Inches)	Minimum Curve Radius (Inches)
	Catalog Number	List Price	Catalog Number	List Price			
1/4	1641-0025B	\$1,214.00	1642-0025B	\$1,874.00	7 – 9	4	20
1/2	1641-0050B	\$1,214.00	1642-0050B	\$1,874.00	7 – 9	4	20
1	1641-0100B	\$1,382.00	1642-0100B	\$2,112.00	8 – 10	5	24
1 1/2	1641-0150B	\$1,570.00	1642-0150B	\$2,289.00	8 – 10	5	24
2	1641-0200B	\$1,735.00	1642-0200B	\$2,503.00	8.25 – 10.25	6	30
3	1641-0300B	\$2,240.00	1642-0300B	\$3,252.00	8.25 – 10.25	6	30
4	1641-0400B	\$2,741.00	1642-0400B	\$3,679.00	9 – 11	8	36
5	1641-0500B	\$3,662.00	1642-0500B	\$4,790.00	9 – 11	8	36
6	1641-0600B	\$3,662.00	1642-0600B	\$4,790.00	9 – 11	8	36
8	1641-0800B	\$5,712.00	1642-0800B	\$6,906.00	10 – 12	10	60
10	1641-1000B	\$7,296.00	1642-1000B	\$9,480.00	10 – 12	10	60
12	1641-1200B	\$7,296.00	1642-1200B	\$9,480.00	10 – 12	10	60
16	1641-1600B	\$12,573.00	1642-1600B	\$15,343.00	10 – 12	12	96
20	1641-2000B	\$13,612.00	1642-2000B	\$17,220.00	10 – 12	12	96

NOTE: For Geared Trolleys:
Standard Hand Chain drop is 8' – Zinc Plated. For longer than standard 8', add \$17.60 Per foot of drop.

BEAM CLAMPS & TROLLEYS

COFFING HOISTS *CT-A GEARED MODEL

Push Type Trolleys – Trolleys for Standard Flange I-Beams						Hand Geared Trolleys – Trolleys for Standard Flange I-Beams					
Catalog Number	Capacity (Tons)	Weight (Pounds)	Adjust to Fit These Beam Sizes		User Price	Catalog Number	Capacity (Tons)	Weight (Pounds)	Adjust to Fit These Beam Sizes		User Price
			Minimum Beam Depth (Inches)	Flange Width (Inches)					Minimum Beam Depth (Inches)	Flange Width (Inches)	
900211	1	40	6	3 to 5	\$864.00	900261	1	55	6	3 to 5	\$1,922.00
900221	2	50	6	3-5/8 to 6	\$1,339.00	900271	2	65	6	3-5/8 to 6	\$2,469.00
900231	3 & 4	85	6	4 to 6-1/4	\$1,981.00	900281	3 & 4	100	6	4 to 6-1/4	\$3,333.00
900241	5 & 6	150	8	4 to 6-1/4	\$2,746.00	900291	5 & 6	165	8	4 to 6-1/4	\$3,694.00
Spark Resistant Models (for Manual Hoists)											
900216	1	40	6	3 to 5	\$2,485.00	900266	1	55	6	3 to 5	\$3,847.00
900226	2	50	6	3-5/8 to 6	\$3,125.00	900276	2	65	6	3-5/8 to 6	\$4,407.00
900236	3 & 4	85	6	4 to 6-1/4	\$4,034.00	900286	3 & 4	100	6	4 to 6-1/4	\$5,463.00
900246	5 & 6	150	8	4 to 6-1/4	\$5,671.00	900296	5 & 6	165	8	4 to 6-1/4	\$6,735.00

For longer than standard 9' – 6" Hand Chain drop, add \$16.90 Per Foot. Spark and corrosion resistant models, add \$38.30 Per foot for aluminum Hand Chain.

For drop stops, add:
 Steel only \$572.00
 With rubber bumpers \$1,153.00

WIDER FLANGE BEAMS – ADD PRICES APPLY TO PUSH OR HAND GEARED, STANDARD OR SPARK RESISTANT

Capacity (Tons)	Standard Flange Range (Inches)	Extended Flange Range			
		1st Extension Flange Range (Inches)	Price Add	2nd Extension Flange Range (Inches)	Price Add
1	3 to 5	5-1/8 to 7-1/4	\$170.00	7-1/2 to 9-1/8	\$256.00
2	3-5/8 to 6	6-1/4 to 8-5/8	\$170.00	8-7/8 to 11-1/4	\$256.00
3 & 4	4 to 6-1/4	6-3/8 to 8-5/8	\$217.00	8-3/4 to 11	\$319.00
5 & 6	4 to 6-1/4	6-3/8 to 8-5/8	\$217.00	8-3/4 to 11	\$319.00
7-1/2	4 to 6-1/4	6-3/8 to 8-5/8	\$217.00	8-3/4 to 11	\$319.00

PATENTED TRACK (PRICE FOR COMPLETE TROLLEY)

Capacity (Tons)	Push Type				Hand Geared			
	Standard		Spark Resistant		Standard		Spark Resistant	
	Catalog Number	User Price	Catalog Number	User Price	Catalog Number	User Price	Catalog Number	User Price
1	900215	\$1,307.00	900220	\$2,805.00	900265	\$2,250.00	900270	\$3,770.00
2	900225	\$1,440.00	900230	\$2,934.00	900275	\$2,444.00	900280	\$3,965.00
3 & 4	900235	\$1,957.00	900240	\$3,714.00	900285	\$3,180.00	900290	\$4,866.00
5 & 6	900245	\$2,835.00	900250	\$5,027.00	900295	\$4,276.00	900300	\$6,370.00

NOTE: For 7-1/2 Tons, consult factory.

Dimensional drawings and photos are not indicative of every capacity. Please refer to catalog for capacity-specific drawings.

BEAM CLAMPS & TROLLEYS

HTP & HTG TROLLEY – STANDARD MODELS

ALL PRICING IN US FUNDS

Capacity (Tons)	Product Code		Flange Width (in)		Thickness (in)	Minimum Radius (Inches)	Weight (Pounds)	User Price	
	Plain Trolley	Hand Geared Trolley	Minimum	Maximum				Plain Trolley	Hand Geared Trolley
1/2 Ton	HTP0050A	HTG0050A	1.97	8.67	0.99	35.43	18	\$249.00	\$526.00
1 Ton	HTP0100A	HTG0100A	1.97	8.67	0.99	35.43	20	\$293.00	\$554.00
2 Tons	HTP0200A	HTG0200A	2.60	8.67	0.99	45.28	35	\$407.00	\$668.00
3 Tons	HTP0300A	HTG0300A	2.92	8.67	0.99	55.12	71	\$774.00	\$953.00
5 Tons	HTP0500A	HTG0500A	3.55	8.67	0.99	70.87	106	\$1,178.00	\$1,311.00
1/2 Ton	HTP0050B	HTG0050B	6.30	11.82	1.58	35.43	23	\$289.00	\$578.00
1 Ton	HTP0100B	HTG0100B	6.30	11.82	1.58	35.43	26	\$353.00	\$618.00
2 Tons	HTP0200B	HTG0200B	6.30	11.82	1.58	45.28	43	\$474.00	\$769.00
3 Tons	HTP0300B	HTG0300B	6.30	11.82	1.58	55.12	79	\$832.00	\$1,005.00
5 Tons	HTP0500B	HTG0500B	7.09	11.82	1.58	70.87	115	\$1,242.00	\$1,363.00
10 Tons	N/A	HTG1000B	4.93	12.21	1.58	70.87	229	-	\$2,553.00
20 Tons	N/A	HTG2000B	4.93	12.21	1.58	196.85	507	-	\$4,927.00

Standard Hand Chain drop is 18'. Longer Hand Chain drop is available in 10' increments up to 48' with the following adds:

28' - \$144.00 List

38' - \$288.00 List

48' - \$432.00 List

Optional Rubber Bumpers:

Part# HTG0009-1 for 1/2 thru 3 Ton trolleys - \$112.00 list

Part# HTG0009-9 for 5 thru 20 Ton trolleys - \$147.00 list

HTP & HTG TROLLEY – SPARK-RESISTANT MODELS

ALL PRICING IN US FUNDS

Capacity (Tons)	Product Code		Flange Width (in)		Thickness (in)	Minimum Radius (Inches)	Weight (Pounds)	User Price	
	Plain Trolley	Hand Geared Trolley	Minimum	Maximum				Plain Trolley	Hand Geared Trolley
1/2 Ton	HTP0050ASR	HTG0050ASR	1.97	8.67	0.99	35.43	18	\$722.00	\$985.00
1 Ton	HTP0100ASR	HTG0100ASR	1.97	8.67	0.99	35.43	20	\$800.00	\$1,035.00
2 Tons	HTP0200ASR	HTG0200ASR	2.60	8.67	0.99	45.28	35	\$1,127.00	\$1,583.00
3 Tons	HTP0300ASR	HTG0300ASR	2.92	8.67	0.99	55.12	71	\$2,529.00	\$2,843.00
5 Tons	HTP0500ASR	HTG0500ASR	3.55	8.67	0.99	70.87	106	\$3,368.00	\$3,699.00
1/2 Ton	HTP0050BSR	HTG0050BSR	6.30	11.82	1.58	35.43	23	\$775.00	\$1,262.00
1 Ton	HTP0100BSR	HTG0100BSR	6.30	11.82	1.58	35.43	26	\$831.00	\$1,307.00
2 Tons	HTP0200BSR	HTG0200BSR	6.30	11.82	1.58	45.28	43	\$1,328.00	\$1,856.00
3 Tons	HTP0300BSR	HTG0300BSR	6.30	11.82	1.58	55.12	79	\$2,564.00	\$3,082.00
5 Tons	HTP0500BSR	HTG0500BSR	7.09	11.82	1.58	70.87	115	\$3,432.00	\$3,924.00
10 Tons	N/A	HTG1000BSR	4.93	12.21	1.58	70.87	229	-	\$5,933.00
20 Tons	N/A	HTG2000BSR	4.93	12.21	1.58	196.85	507	-	\$7,128.00

Standard Hand Chain drop is 18'. Longer Hand Chain Drop is available in 10' increments up to 48' with the following adds:

28' - \$255.00 List

38' - \$509.00 List

48' - \$765.00 List

Rubber Bumper included as standard equipment on spark-resistant models.

TERMS & CONDITIONS**CMCO NORTH AMERICAN UPDATED TERMS AND CONDITIONS
HOIST, RIGGING AND CRANE COMPONENTS**

EFFECTIVE OCTOBER 20, 2023
PAYMENT TERMS ARE 1% 10 DAYS/NET 30 DAYS FROM DATE OF INVOICE

Freight—All shipments of Columbus McKinnon (CMCO) products are F.O.B. manufacturing plant or warehouse. Shipping charges will be paid by CMCO and allowed on any order (excluding noted models below*) when the order totals at least net US\$7,500.00, provided such orders are (a) for one shipment to one destination within the continental United States and (b) are not drop ship orders to customers. Drop ship orders are no longer covered under the freight allowance policy. Carrier and routing will be at the discretion of Columbus McKinnon Corporation. Small orders will not be accumulated to meet total freight requirements to be paid by CMCO. "Add to" orders will be considered new orders and will not be included with previously placed orders. If Columbus McKinnon makes partial shipment on an order that originally met the criteria for the freight to be paid by CMCO, Columbus McKinnon will absorb transportation charges on all shipments applying to that order. Parcel post shipments will be insured at customer's expense, and customer is responsible for placing a valuation upon such shipments for insurance purposes. Shipments that do not meet the criteria for freight to be paid by CMCO will be made on a prepaid and add basis unless otherwise specified by customer. Requests for collect or third-party bill shipments must specify the carrier. Title or risk of loss shall pass to the customer upon delivery to the carrier regardless of who pays the shipping cost.

* **The following products do not qualify for net US\$7,500.00 freight allowance:** All Chester Products including Chester PT trolleys, Electrification, Powerstar Electric Chain Hoists, Lodestar XL Air and Electric Chain Hoists and all Wire Rope Hoists and Crane Components Products.

* **For Channel Partners who are eligible to purchase hoist and crane parts, CMCO will pay freight on orders totaling US\$7,500.00 or more.**

Minimum Order Threshold – Net US\$200.00

Handling Fee—a US\$50.00 net handling fee assessed to all orders with special shipping instructions or carrier requests that are not shipped prepaid and add. This includes collect and third-party shipments and customer pick up/will call orders. The handling fee does not apply to parcel shipments such as UPS.

Requests for Same Day Shipping—Orders requested to be shipped same day will be assessed a US\$100.00 fee.

• Orders must be received by CMCO prior to 12 P.M. ET. Any order received after this time will be processed and dated to ship the next day, subject to availability.

• Eligible only for in-stock items. Not eligible to reduce quoted/standard lead times.

• Order must be placed via email using samedayorderfee@cmworks.com orders placed via EDI, Customer Portal, Fax or Compass are not eligible for same day shipping.

• Shipments are subject to availability and not guaranteed.

Discounts are subject to change without notice. Furthermore, Hoist Parts orders not shipped directly to Channel Partners will be subject to lower discounts.

PRICES MAY BE SUBJECT TO ADDITIONAL SURCHARGE AT TIME OF ORDER.

See www.columbusmckinnon.com for CMCO's Terms and Conditions of Sale

CMCO NORTH AMERICAN HOIST & RIGGING RETURN AND ORDER CANCELLATION POLICY

EFFECTIVE SEPTEMBER 1, 2020

A. Standard/Stock (i.e., Non-Special) Products**1. RETURNS:**

Within one (1) year of delivery to Channel Partner, standard/stock products may be returned by Channel Partner to CMCO for credit with the prior approval of CMCO (such approval may be withheld by CMCO at its sole discretion). The original purchase order information must be included with Channel Partner's request for return.

All requests for return must be coordinated through the Channel Partner's CMCO Sales Manager. If the return is approved by CMCO, Customer Service issues a Return Goods Authorization Number to Channel Partner. Any approval by CMCO of a request for a return of a standard/stock product shall be valid for only 30 days after the issuance by CMCO of a Return Goods Authorization Number (i.e., the returned standard/stock product must be received by CMCO within 30 days after the issuance by CMCO of the Return Goods Authorization Number).

All standard/stock products to be returned must be new, unused, and free of corrosion, in the original carton, and in salable (as received) condition in original box and packaging with label identifiers intact. The following material is ineligible for return to CMCO: special products, obsolete or discontinued products, wire rope, nuts, bolts, washers, gaskets, cut chain, or any items with a net price under US\$50.00. Channel Partner is responsible for the cost of all return freight. Accordingly, all standard/stock products must be returned to CMCO on a prepaid transportation basis. Collect shipments will be refused by CMCO. The standard/stock products must be returned to the destination specified by CMCO with the Return Goods Authorization Number visibly displayed on the outside of the carton, preferably on the shipping label. Unauthorized return of standard/stock products may be refused and, if returned without approval of CMCO, Channel Partner is liable for any and all delivery, storage and return freight charges. Minimum return value is US\$500.00. No items under US\$50.00 net price will be eligible, regardless of quantity.

For returns approved by CMCO where reconditioning, inspection, retesting, repackaging or special handling of the returned standard/stock products is required, the amount of the credit issued to Channel Partner for such returned goods is reduced by a handling charge (determined by CMCO) to cover those costs. If such return is approved by CMCO, the amount of the credit issued by CMCO to Channel Partner equals the original purchase price of the returned standard/stock products, less a restocking charge (computed as set forth below) and any necessary handling charges.

Returned product that does not pass inspection and approval by CMCO's quality assurance department will be returned to customer at customer's expense or scrapped by CMCO at customer's request and no credit shall be issued.

2. RESTOCKING CHARGES:

If Channel Partner does not place an offsetting order (as defined below) at the time of the return request, the restocking charge is 35% of the original purchase price of the returned standard/stock products.

If Channel Partner does place an offsetting order (as defined below) at the time of the return request, the restocking charge will be 20% of the original purchase

3. CANCELLATIONS:

A purchase order submitted by Channel Partner to CMCO for standard/stock products may be cancelled by Channel Partner prior to the delivery of the standard/stock products to Channel Partner with the prior approval of CMCO (such approval may be withheld by CMCO in its sole discretion). The original purchase order information must be included with Channel Partner's request for cancellation. All requests for cancellation must be coordinated through the Channel Partner's CMCO Sales Manager and submitted in writing. If cancellation of a purchase order is approved by CMCO, Customer Service will issue a Cancellation Goods Authorization Number to Channel Partner. If such cancellation is approved by CMCO, Channel Partner shall pay CMCO a cancellation charge (computed as set forth below).

4. CANCELLATION CHARGES:

If Channel Partner does not place an offsetting order (as defined below) at the time of the request for cancellation, the cancellation charge is 35% of the original purchase price of the cancelled standard/stock products.

If Channel Partner does place an offsetting order (as defined below) at the time of the request for cancellation, the cancellation charge is 20% of the original purchase price of the cancelled standard/stock products.

5. OFFSETTING ORDER:

For an order to qualify as offsetting, (a) it must be placed by Channel Partner at the time of the return/cancellation

request, (b) it must be comprised of products comparable to those being returned/cancelled (i.e., parts for parts, or units for units), (c) the total purchase price must be equal to at least 125% of the purchase price (before charges) of the standard products being returned/cancelled, and (d) the purchase order submitted by Channel Partner must reference the offset/cancellation charge as well as the Return/Cancellation Goods Authorization Number. Promotional orders cannot be used as an offsetting order without approval from the CMCO Director of Channel Services.

B. Special Products

Special products (i.e., engineered or nonstock products specifically designed for unique applications and not classified by CMCO as standard/stock products) cannot be returned for credit. Purchase orders submitted by Channel Partner to CMCO for special products cannot be cancelled.

Special products include, without limitation, wire rope hoists, crane components, bridge kits, end trucks, Chester products, Magnetek Products, CM Powerstar, Lodestar XL, and any chain hoist rigging product that requires engineering or special machined or purchased components.

For any return of any special product or cancellation of any order for any special product, any down-payments or deposits submitted by Channel Partner may, at the sole option of CMCO, be forfeited.

C. Stock Adjustment/Slow Moving Inventory Returns**1. HOIST UNITS, ACCESSORIES AND RIGGING PRODUCT RETURNS:**

For Channel Partners who qualify as either Platinum or Gold status, the frequency of returns and the offsetting order requirements vary based on the Channel Partner's level status (see below). Contact your CMCO Sales Manager for further details. Channel Partners not holding Platinum or Gold status will have the ability to exercise a single stock adjustment return per calendar year without a restocking charge contingent upon returned product and offsetting order meeting the conditions set forth in this policy.

GENERAL RETURN FREQUENCY AND OFFSETTING ORDER PARAMETERS:**Platinum Status:**

4 returns per fiscal year (April through March) and restock charge waived with 110% offsetting order value

Gold Status:

2 returns per fiscal year (April through March) and restock charge waived with 115% offsetting order value

Non-Platinum or Gold:

1 return per fiscal year (April through March) and restock charge waived with 150% offsetting order value

Requests for stock adjustment/slow-moving inventory return must be accompanied by CMCO's annual return spreadsheet indicating product number, quantity, PO number and date, CMCO order number, and item description and are subject to management approval. Requests may be submitted electronically to returns@cmworks.com and must be made prior to January 1 of the current fiscal year.

2. HOIST PARTS RETURNS:

Channel Partners purchasing hoist parts inventory may return slow-moving hoist parts inventory following the same guidelines as noted above (C1) with regard to frequency and requirements to waive restocking charges. The maximum return allowed each year is no more than 10% of the Channel Partner's total hoist parts purchases from CMCO's previous fiscal year (April through March).

Parts returned must meet the same terms as outlined above (A1). All parts must be bagged and identified with the part number, and only hoist parts that are stocked by CMCO, with a unit net price over US\$50.00 may be returned. Parts that are, in CMCO's sole discretion, not currently active or are obsolete are not allowed for return. The invoice number and the invoice date should be shown for each item being returned. If the invoice number and date cannot be supplied or determined by CMCO, no credit is allowed. When a parts return request is initiated, CMCO provides Channel Partner with a form that must be completed to obtain all required information for the parts being returned and allow for the Return Goods Authorization Number to be issued.

In the event of a conflict between any of the terms of this Policy and the terms of any written agreement with any Channel Partner, the terms of the written agreement shall control.

LOAD TEST POLICY – FOR CHAINLESS PROGRAM

† Re-chained hoist must be proof tested to 125% of rated load prior to being put into service. When participating in our chainless program, you are agreeing that you have the ability to, and will, test all re-chained units either in-house or by using a third-party testing company.

TERMS & CONDITIONS**TERMS OF SALE**

All sales of goods by Seller to Buyer are made pursuant to the following terms, which terms shall supersede any and all terms that might appear on Buyer's order form. No other, or additional, terms or conditions are, or will be, accepted and are expressly rejected.

ACCEPTANCE OF ORDERS

All orders, whether placed directly or through an agent, and all subsequent amendments thereto, are subject to a final approval and acceptance by Seller.

TERMS OF PAYMENT

Unless otherwise expressly agreed to in writing by Seller, payment of each invoice is required within thirty (30) days after date of shipment. Any balance unpaid after the required payment date shall be subject to a service charge of 1% per month from such date. Buyer agrees to pay all out-of-pocket costs and expenses (including, without limitation, all reasonable attorneys' fees and expenses) incurred by Seller in connection with the collection of amounts not paid by Buyer to Seller.

PRICE ADJUSTMENTS

Amendments made by the Buyer to orders already placed shall, without formal notice to the Buyer, be subject to extra charges. If the estimated shipping date for the goods is more than sixty (60) days after date of order, the price of the goods are subject to increase by Seller.

TAXES

Any sales, use, excise and other taxes applicable to this transaction and the goods and/or services furnished by Seller are not included in the price and shall be paid by Buyer when due. If Seller pays any such taxes, Buyer shall reimburse Seller upon demand.

WARRANTY

Seller warrants that, for a period of one (1) year from the date of its delivery of the goods to the carrier, the goods will be free from defects in workmanship and materials. IN THE EVENT OF ANY BREACH OF SUCH WARRANTY OR CONTRACT OR FOR NEGLIGENCE OR OTHERWISE WITH RESPECT TO ANY GOODS, SELLER'S SOLE OBLIGATION SHALL BE EXCLUSIVELY LIMITED TO, AT THE OPTION OF SELLER, REPAIR OR REPLACEMENT, F.O.B. SELLER'S POINT OF SHIPMENT, OF ANY PARTS THAT SELLER DETERMINES TO HAVE BEEN DEFECTIVE OR, IF SELLER DETERMINES THAT SUCH REPAIR OR REPLACEMENT IS NOT FEASIBLE, TO A REFUND OF THE PURCHASE PRICE UPON RETURN OF THE GOODS TO SELLER. NO CLAIM AGAINST SELLER FOR ANY BREACH OF SUCH WARRANTY SHALL BE VALID OR ENFORCEABLE UNLESS BUYER'S WRITTEN NOTICE THEREOF IS RECEIVED BY SELLER WITHIN ONE (1) YEAR FROM THE DATE OF SELLER'S DELIVERY TO THE CARRIER. EXCEPT FOR THE WARRANTY SET FORTH ABOVE, SELLER MAKES NO OTHER WARRANTIES WITH RESPECT TO THE GOODS, WHETHER EXPRESSED OR IMPLIED, INCLUDING ANY WARRANTIES OF MERCHANTABILITY, FITNESS FOR A PARTICULAR PURPOSE, QUALITY AND/OR THOSE ARISING BY STATUTE OR OTHERWISE BY LAW OR FROM ANY COURSE OF DEALING OR USE OF TRADE, ALL OF WHICH ARE HEREBY EXPRESSLY DISCLAIMED. IN NO EVENT SHALL SELLER BE LIABLE TO BUYER OR ANY THIRD PARTY WITH RESPECT TO ANY GOOD, WHETHER IN CONTRACT, TORT OR OTHER THEORY OF LAW, FOR LOSS OF PROFITS OR LOSS OF USE, OR FOR ANY INCIDENTAL, CONSEQUENTIAL, SPECIAL, DIRECT OR INDIRECT DAMAGES, HOWSOEVER CAUSED. SELLER'S MAXIMUM LIABILITY TO BUYER WITH RESPECT TO THE GOODS SHALL, IN NO EVENT EXCEED THE PRICE PAID BY BUYER FOR THE GOODS THAT ARE THE SUBJECT OF THE APPLICABLE CLAIM. Seller shall not be liable for any damage, injury or loss arising out of the use of the goods if, prior to such damage, injury or loss, such goods are: (1) damaged or misused following Seller's delivery to the carrier; (2) not maintained, inspected, or used in compliance with applicable law and Seller's written instructions and recommendations; or (3) installed, repaired, altered or modified without compliance with such laws, instructions or recommendations.

INDEMNIFICATION AND SAFE OPERATION

Buyer shall comply with and require its employees to comply with directions set forth in instructions and manuals furnished by Seller and shall use and require its employees to follow such instructions and manuals and to use reasonable care in the use and maintenance of the goods. Buyer shall not remove or permit anyone to remove any warning or instruction signs on the goods. In the event of personal injury or damage to property or business arising from the use of the goods, Buyer shall, within forty-eight (48) hours thereafter, give Seller written notice of such injury or damage. Buyer shall cooperate with Seller in investigating any such injury or damage and in the defense of any claims arising therefrom. If Buyer fails to comply with this section or if any injury or damage is caused, in whole or in part, by Buyer's failure to comply with applicable federal or state safety requirements, Buyer shall indemnify, defend and hold Seller harmless against any claims, loss or expense for injury or damage arising from the use of the goods.

DELIVERY AND DELAYS

Unless otherwise specified herein, deliveries shall be F.O.B. Seller's point of shipment and risk of loss shall pass to Buyer upon Seller's delivery to carrier. Title to goods shall pass to Buyer at the same time that risk of loss passes, except in case of shipments to points outside of the United States in which case title shall pass to Buyer immediately after the goods leave the United States. All shipping dates are approximate and Seller shall not be liable for any delay or failure to perform its obligations under any order or sales contract arising out of causes beyond its reasonable control (a "Force Majeure Event"), including, but not limited to, acts of God or public enemy, acts of other parties, acts of civil and military authority, epidemics, pandemics, unusually severe weather, shortage of power or fuel, strikes, lockouts, boycotts, or other labor troubles, government regulations, or delays of Seller's subcontractors or suppliers in furnishing materials, components, tools or supplies due to any one or more of the foregoing causes. In no event shall Seller be liable for any damages to Buyer caused thereby whether direct, indirect, special, incidental or consequential. Time is not of the essence unless otherwise agreed to in a writing signed by Seller. Notwithstanding other provisions hereof, if shipment is delayed at Buyer's request, the goods shall be deemed to be stored at Buyer's risk and expense and Seller may thereupon bill Buyer for the full price and storage costs. Buyer shall pay such bill within 30 days after mailing thereof.

INSPECTION

Buyer acknowledges that ten (10) days after receipt of the goods will provide Buyer with a reasonable amount of time to inspect the goods. Therefore, the goods shall be subject to final inspection and acceptance by Buyer within ten (10) days after receipt by Buyer. Buyer's failure to inspect within said time shall constitute a waiver of Buyer's rights of inspection and rejection. Buyer's right of rejection hereunder shall be limited to non-conforming goods. Upon inspection of the goods within said ten (10) days, Buyer shall immediately notify Seller in writing as to any non-conforming goods that Buyer intends to reject and particularize in detail the reasons for such rejection. If, upon inspection, Buyer fails to immediately notify Seller as to which non-conforming goods it intends to reject, such failure to notify shall be deemed an acceptance of the goods by Buyer. All non-conforming goods not properly rejected by Buyer hereunder shall be deemed accepted by Buyer.

CHANGES AND CANCELLATION

Seller reserves the right to change or cancel any order whenever circumstances require allocation of production or delivery or Seller deems change or cancellation to be necessary due to a Force Majeure Event or to comply with applicable laws, ordinances, regulations, directives or administrative actions. Seller reserves the right to make changes in materials or design that it determines appropriate for the goods. Buyer shall not change or cancel any order without Seller's prior written approval. Any cancellation by Buyer approved by Seller shall be subject to Seller's return and order cancellation policy in effect at such time, including applicable restocking and handling charges and other conditions of return.

SECURITY INTEREST AND REPOSSESSION

Until full payment has been made therefor, Seller shall have a security interest in goods shipped to Buyer and the goods shall remain personal property. Upon request Buyer shall execute and deliver to Seller security agreements and other documents further evidencing Seller's security interest. Buyer authorizes Seller to file a financing statement or statements relating to the goods, as Seller may deem appropriate and appoints Seller as Buyer's attorney-in-fact for the limited purpose of executing (without requiring Seller to do so) documents in Buyer's name and performing other acts that Seller deems appropriate to perfect and continue its security interest and to protect and preserve the goods. In the event Buyer defaults in making any payment due Seller, Seller, in addition to any other rights or remedies provided by law, shall have the right, with or without legal process, to enter the place where said goods are located and to repossess the goods in accordance with the Uniform Commercial Code.

ASSURANCES

Shipment by Seller shall at all times be subject to the prior approval of its credit personnel and Seller may, at any time, decline to make shipment except upon receipt of prior payment or upon other terms and conditions or security satisfactory to Seller.

PATENTS

Except as to goods manufactured according to design supplied by Buyer, Seller will defend and hold Buyer free and harmless in a suit or proceeding brought against Buyer insofar as it is based on a claim that use of the goods by Buyer constitutes an infringement of any existing U.S. Patents, provided, however, that Buyer gives Seller prompt written notice of such suit or proceeding, permits Seller, through its counsel, to defend and/or settle the same; and gives Seller all necessary information, assistance and authority to enable Seller to do so. If Buyer's use of the goods is held to constitute infringement and further use is enjoined, Seller shall, at its option, either: (i) procure for Buyer the right to continue using the goods; (ii) replace the goods with non-infringing goods; or (iii) modify the goods to non-infringing goods. The foregoing states Seller's entire liability for patent infringement and shall not be construed to render Seller liable for damages based on product output.

LIMITATIONS ON ACTIONS

Any action against Seller for breach of warranty, negligence or otherwise must be commenced by Buyer within one (1) year after: (a) the date any alleged claim accrues; or (b) the date of delivery of the goods to Buyer, whichever is earlier.

MISCELLANEOUS

This instrument constitutes the entire agreement between Seller and Buyer, superseding all previous understandings and writings regarding this transaction. Any amendment or modification of this agreement shall be void unless in writing and signed by Seller. This agreement shall be governed by and construed under the laws of the State of New York. Any action to enforce, arising out of, or relating in any way to, any of the provisions of this agreement shall be brought and prosecuted in a court located in Buffalo, New York or the Western District of New York as is provided by law, and Seller and Buyer consent to such jurisdiction. No delay or omission by Seller in exercising any right or remedy hereunder shall be a waiver thereof or of any other right or remedy, and no single or partial exercise thereof shall preclude any other or further exercise thereof or the exercise of any other right or remedy. All rights and remedies of Seller are cumulative.

NO RELIANCE

Seller's employees, contractors and/or agents may have made oral statements or representations about the performance or operation of the goods. Such statements do not constitute warranties and are not part of this contract. Buyer expressly



COLUMBUS MCKINNON FAMILY OF BRANDS



Phone (800) 888.0985 · (716) 689.5400 · Fax: (716) 689.5644 · columbusmckinnon.com